

SES End Seal

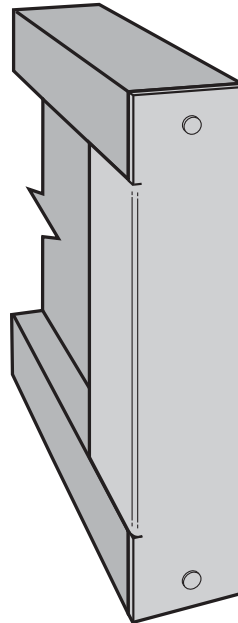
**FOR USE WITH PRODUCTS
MANUFACTURED BY:**



The Simpson End Seal provides a fast and effective solution to reduce air leakage through 'pocket masonry' in block walls. Once installed, it removes the need for mastic sealant around the perimeter of joists, subject to good workmanship when keying with mortar.

The Simpson End Seal is a cost effective way to help comply with the requirements of Part L (reduced air leakage) and Part E (reduced sound transference).

The SES allows for a full 100mm bearing of joist onto masonry walls.



FEATURES AND BENEFITS

- Air leakage – reduces air leakage without the need for a mastic sealant (ref CERAM report SW006.07).
- Sound – meets the sound requirements of a joist cap as specified by Appendix A, Robust Details Part E Handbook.
- Fire – provides 1 hour of fire resistance (ref Warrington Fire Assessment report – 157020).
- Can be used on external and party walls.
- Meets the NHBC Technical Requirements.
- Allows for full 100mm bearing of joist onto masonry walls.
- Secure fixing – provided by 30mm Square Twist Nails.

Joist Type	SES CODE
TJI105 220	SES146/38
TJI105 241	SES167/38
TJI105 302	SES228/38
TJI110 220	SES146/45
TJI110 241	SES167/45
TJI110 302	SES228/45
TJI360 220	SES146/58
TJI360 241	SES167/58
TJI360 302	SES228/58
TJI360 356	SES282/58
TJI360 406	SES332/58
TJI560 220	SES146/89
TJI560 241	SES167/89
TJI560 302	SES228/89
TJI560 356	SES282/89
TJI560 406	SES332/89

**Simpson Strong-Tie
United Kingdom Office**
Winchester Road
Cardinal Point
Tamworth
Staffordshire B78 3HG
FAX: 01827 255 616

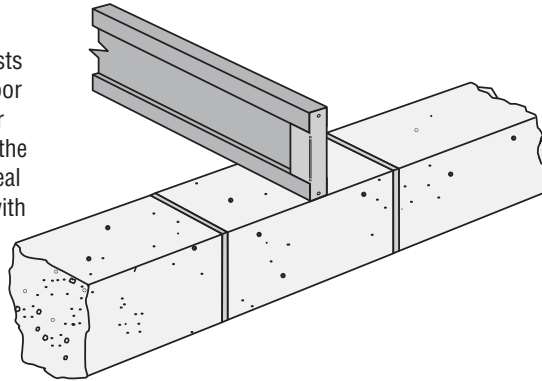
01827 255 600
www.strongtie.co.uk

SES End Seal

STANDARD INSTALLATION DETAILS

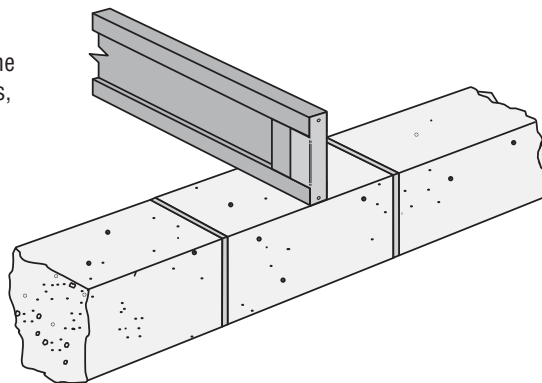
Stage 1:

Prepare block work to accept floor joists - no bed of mortar on top. Position floor joists onto wall (only 1 joist shown for clarity). Fit the End Seal to the end of the joist as shown. Ensure that the End Seal is tight against the joist end. Secure with 2 No. 3.75 x 30 Square Twist Nails.



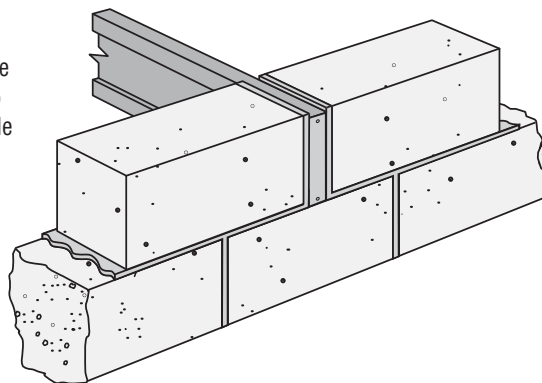
Stage 2:

Apply mortar to the void in between the two flanges of the I-joist on both sides, ensuring the mortar is packed against the End Seal.



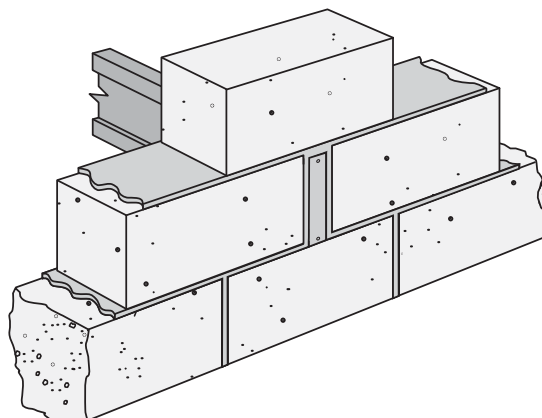
Stage 3:

Lay a bed of mortar onto the top of the blocks ensuring mortar is laid tight up against joist end. Lay blocks either side of joist ensuring sufficient mortar is applied to the block ends.



Stage 4:

Lay the next bed of mortar on the top of the blocks. Continue to build the wall as normal.



This bulletin is effective until January 31, 2009, and reflects information available as of March 1, 2007. This information is updated periodically and should not be relied upon after January 31, 2009; contact Simpson for current information and limited warranty or see www.strongtie.co.uk.

**Simpson Strong-Tie
United Kingdom Office**
Winchester Road
Cardinal Point
Tamworth
Staffordshire B78 3HG
FAX: 01827 255 616

01827 255 600
www.strongtie.co.uk