

**NS** Nail Stoppers

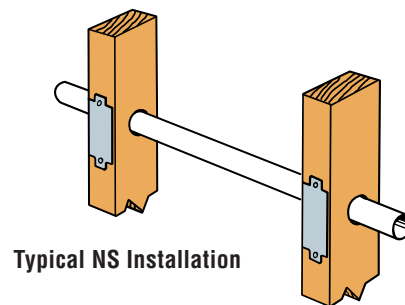
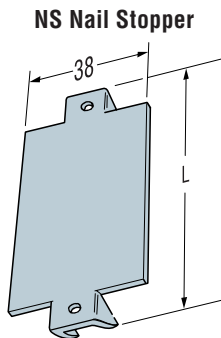
**PREVENT NAILS FROM PIERCING WATER PIPES AND ELECTRICAL CABLES.**

**INSTALLATION:** Installs over utilities passing through timber studs. Use specified fasteners.

**MATERIAL:** 1.5mm pre-galvanised mild steel.

Model No	Length (mm)	Fastners *
NS1	75	2 - 3.75 x 30
NS2	150	2 - 3.75 x 30

\* Square Twist Nail



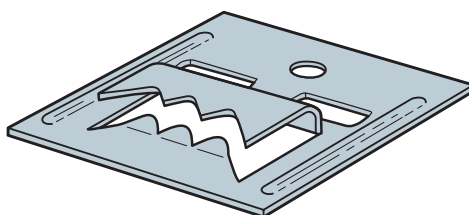
Typical NS Installation

**CLIP** Wall Panel Clips

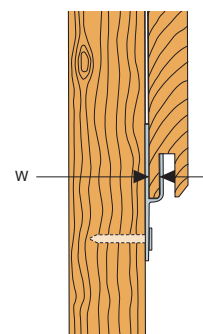
**ALLOWS HIDDEN NAILING FOR PANELLING. INCLUDES NAILS.**

**MATERIAL:** Pre-galvanised mild steel.

Model No	Dimensions
CLIP2/250	2mm
CLIP3/250	3mm



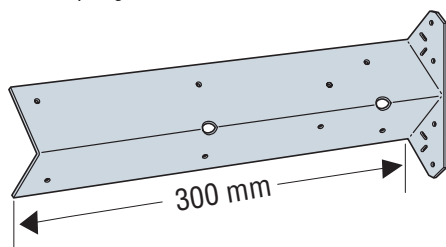
CLIP INSTALLED



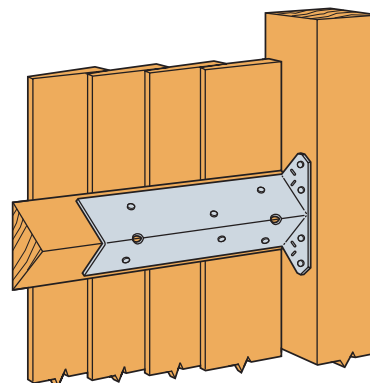
**1ARB** Arrisrail Fencing Products

**THE 1ARB IS A 300MM LONG ARRISRAIL BRACKET FOR CONNECTING ARRISRAILS TO WOODEN POSTS. SUITABLE FOR USE ON 75MM ARRISRAILS.**

**MATERIAL:** 0.8mm pre-galvanised mild steel to BS EN 10327:2004 DX51D+Z275



1ARBGAL



**VESF** High Performance Vinylester (Styrene Free) Injection Mortar For Fixing Into Non-Cracked Concrete

**VESF410 IS A STYRENE FREE VINYLESTER INJECTION MORTAR.**

Virtually odour free adhesive resin which is injected into bolt holes with an applicator gun.

The completed chemical reaction creates a durable expansion pressure free bond between anchor stud, the reacted resin and the concrete.

- Stud fixing produces no expansion pressure.
- Reduced edge distance and spacing.
- Can be used in damp stud holes.
- Completely seals drilled hole.
- Virtually odour free.

Applicator gun also available from Simpson Strong-Tie® (order code LAP380). Can be used in conjunction with threaded stud reference "LMAS".

