



**IUC HANGERS ARE A ONE PIECE, NON-WELEDED, FACE MOUNTED CONCEALED FLANGE HANGER FOR BOTH I-JOISTS AND SOLID TIMBER SECTIONS.**

I-Joist top flanges are laterally restrained by the side of the hanger, eliminating the need for web stiffeners. I-Joist manufactureres may require web stiffeners.

**MATERIAL:** 1.2mm pre-galvanised mild steel.

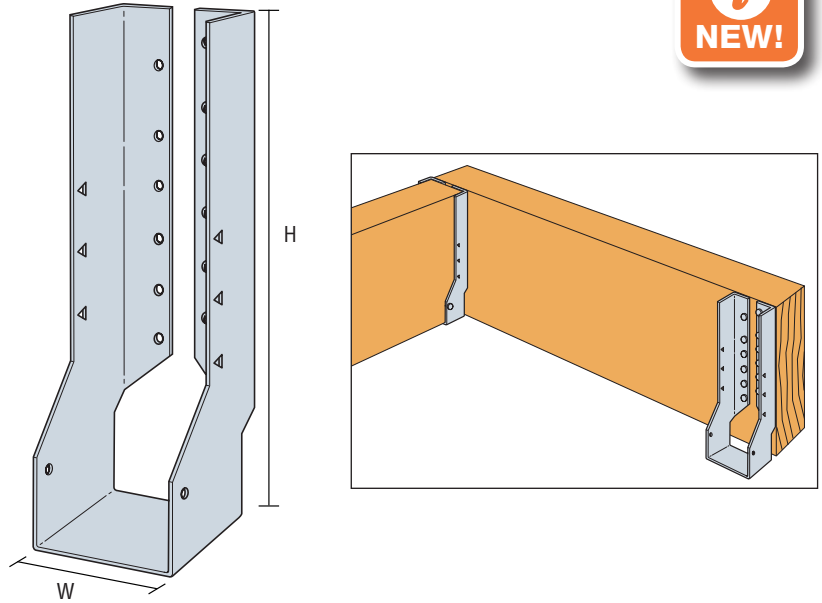
**INSTALLATION:**

Use all specified fasteners (see table below). Verify that the header can take the fasteners specified in the table. Web stiffeners are not required with I-Joists when the top flange is laterally supported by both sides of the hanger.

**OPTIONS:**

These hangers cannot be skewed but will normally accomodate a skew of 5°. For concealed flange hangers with widths greater than 91mm see SAI hanger catalogue tables.

**ENHANCED UPLIFT LOADS:** The IUC has optional triangular holes for additional uplift. Properly attached web stiffeners will be required for enhanced uplift.



**IUC SPECIFICATIONS**

Joist Size (mm)		Model No.	Dimensions			Number of Fasteners				Safe Working Load (kN)		Characteristic Capacity (kN)	
Width	Height		H	W	B	Face		Joist		C16 & I-Joist Header Long Term	LVL Header Long Term	C16 & I-Joist Header Download	LVL Header Download
						Opt 1	Opt 2	Opt 1	Opt 2				
38	145	IUC142/40	142	40	51	Opt 1	6	Opt 1	2	2.09	2.44	3.80	8.10
	195-200	IUC192/40	192	40	51	Opt 2	6	Opt 1	2	2.57	2.97	7.86	10.68
						Opt 1	10	Opt 1	2	3.48	4.06	7.54	13.50
	220-245	IUC217/40	217	40	51	Opt 2	10	Opt 1	2	4.28	4.95	13.10	17.80
						Opt 1	12	Opt 1	2	4.17	4.88	10.00	16.20
						Opt 2	12	Opt 1	2	5.13	5.94	15.73	20.74
Opt 1						6	Opt 1	2	2.09	2.44	3.80	8.10	
45	145	IUC142/47	142	47	51	Opt 2	6	Opt 1	2	2.57	2.97	7.86	10.68
	195-200	IUC192/47	192	47	51	Opt 1	10	Opt 1	2	3.48	4.06	7.54	13.50
						Opt 2	10	Opt 1	2	4.28	4.95	13.10	17.80
	220-245	IUC217/47	217	47	51	Opt 1	12	Opt 1	2	4.17	4.88	10.00	16.20
						Opt 2	12	Opt 1	2	5.13	5.94	15.73	20.74
						Opt 1	10	Opt 1	2	3.48	4.06	7.54	13.50
Opt 2						10	Opt 1	2	4.28	4.95	13.10	17.80	
47	195	IUC192/50	192	50	51	Opt 1	12	Opt 1	2	4.17	4.88	10.00	16.20
	220-245	IUC217/50	217	50	51	Opt 2	10	Opt 1	2	4.28	4.95	13.10	17.80
						Opt 1	12	Opt 1	2	5.13	5.94	15.73	20.74
	220-245	IUC217/50	217	50	51	Opt 2	12	Opt 1	2	5.13	5.94	15.73	20.74
						Opt 1	10	Opt 1	2	3.48	4.06	7.54	13.50
						Opt 2	10	Opt 1	2	4.28	4.95	13.10	17.80
Opt 1						12	Opt 1	2	4.17	4.88	10.00	16.20	
53	195-200	IUC192/53	192	53	51	Opt 2	10	Opt 1	2	3.48	4.06	7.54	13.50
	220-245	IUC217/53	217	53	51	Opt 1	10	Opt 1	2	4.28	4.95	13.10	17.80
						Opt 2	10	Opt 1	2	4.17	4.88	10.00	16.20
	220-245	IUC217/53	217	53	51	Opt 1	12	Opt 1	2	4.17	4.88	10.00	16.20
						Opt 2	12	Opt 1	2	5.13	5.94	15.73	20.74
						Opt 1	10	Opt 1	2	3.48	4.06	7.54	13.50
Opt 2						10	Opt 1	2	4.28	4.95	13.10	17.80	
58-60	195-200	IUC192/61	192	61	51	Opt 1	12	Opt 1	2	4.17	4.88	10.00	16.20
	220-245	IUC217/61	217	61	51	Opt 2	10	Opt 1	2	4.28	4.95	13.10	17.80
						Opt 1	12	Opt 1	2	5.13	5.94	15.73	20.74
	220-245	IUC217/61	217	61	51	Opt 2	12	Opt 1	2	5.13	5.94	15.73	20.74
						Opt 1	10	Opt 1	2	3.48	4.06	7.54	13.50
						Opt 2	10	Opt 1	2	4.28	4.95	13.10	17.80
Opt 1						12	Opt 1	2	4.17	4.88	10.00	16.20	
63	195-200	IUC192/66	192	66	51	Opt 2	10	Opt 1	2	3.48	4.06	7.54	13.50
	220-245	IUC217/66	217	66	51	Opt 1	10	Opt 1	2	4.28	4.95	13.10	17.80
						Opt 2	10	Opt 1	2	4.17	4.88	10.00	16.20
	220-245	IUC217/66	217	66	51	Opt 1	12	Opt 1	2	4.17	4.88	10.00	16.20
						Opt 2	12	Opt 1	2	5.13	5.94	15.73	20.74
						Opt 1	10	Opt 1	2	3.48	4.06	7.54	13.50
Opt 2						10	Opt 1	2	4.28	4.95	13.10	17.80	
70	195-200	IUC192/72	192	72	51	Opt 1	12	Opt 1	2	4.17	4.88	10.00	16.20
	220-245	IUC217/72	217	72	51	Opt 2	10	Opt 1	2	4.28	4.95	13.10	17.80
						Opt 1	12	Opt 1	2	5.13	5.94	15.73	20.74
	220-245	IUC217/72	217	72	51	Opt 2	12	Opt 1	2	5.13	5.94	15.73	20.74
						Opt 1	10	Opt 1	2	3.48	4.06	7.54	13.50
						Opt 2	10	Opt 1	2	4.28	4.95	13.10	17.80
Opt 1						12	Opt 1	2	4.17	4.88	10.00	16.20	
72	195-200	IUC192/75	192	75	51	Opt 1	10	Opt 1	2	3.48	4.06	7.54	13.50
	220-245	IUC217/75	217	75	51	Opt 2	10	Opt 1	2	4.28	4.95	13.10	17.80
						Opt 1	12	Opt 1	2	4.17	4.88	10.00	16.20
	220-245	IUC217/75	217	75	51	Opt 1	12	Opt 1	2	4.17	4.88	10.00	16.20
						Opt 2	12	Opt 1	2	5.13	5.94	15.73	20.74
						Opt 1	10	Opt 1	2	3.48	4.06	7.54	13.50
Opt 2						10	Opt 1	2	4.28	4.95	13.10	17.80	
89-90	195-200	IUC192/91	192	91	51	Opt 1	10	Opt 1	2	3.48	4.06	7.54	13.50
	220-245	IUC217/91	217	91	51	Opt 2	10	Opt 1	2	4.28	4.95	13.10	17.80
						Opt 1	12	Opt 1	2	4.17	4.88	10.00	16.20
	220-245	IUC217/91	217	91	51	Opt 1	12	Opt 1	2	4.17	4.88	10.00	16.20
						Opt 2	12	Opt 1	2	5.13	5.94	15.73	20.74
						Opt 1	10	Opt 1	2	3.48	4.06	7.54	13.50
Opt 2						10	Opt 1	2	4.28	4.95	13.10	17.80	

Option 1 use 3.75 x 30mm square twist nails. Option 2 use 3.75 x 75mm nails.