

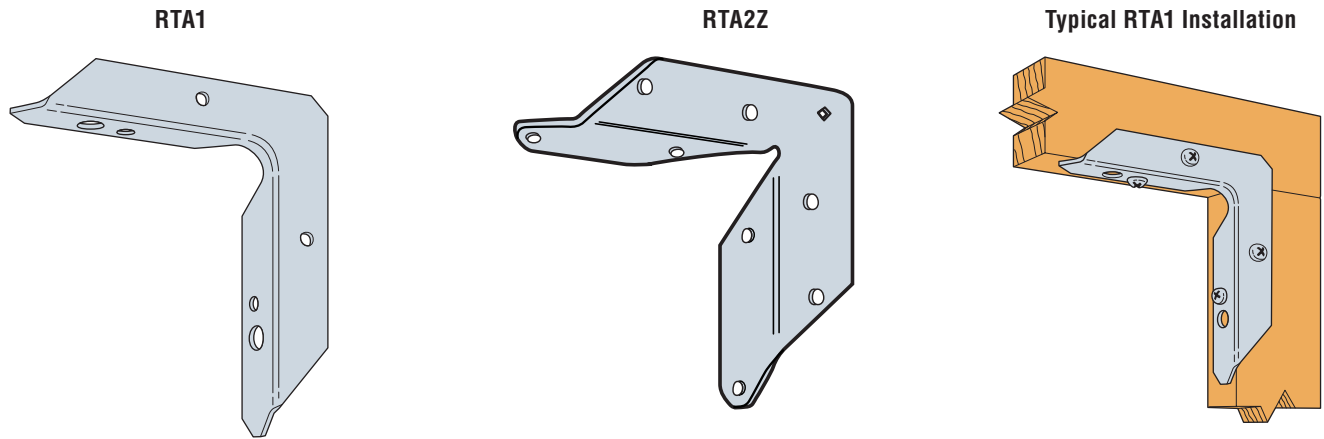
**RTA** Rigid Tie Angle

THESE PRODUCTS ALLOW THE DIY INDIVIDUAL TO BUILD SHELVES, TABLES, WORKBENCHES AND UTILITY FURNITURE.

Rigid Tie Angles wrap around the wood members from two directions—obsoleting the need for angle bracing, gussets and plywood stiffeners in many wood construction projects. The RTA is ideal for gates, rectangular frame construction or any other project with right angles.

**MATERIAL:** RTA1—1.2mm; RTA2Z—1.5mm pre-galvanised mild steel.

Model No.	Minimum Timber Size (mm)	Suggested Screws
RTA1	38	4 x No 6 Screw x 32
RTA2Z	38	8 x SD8 x 1.25



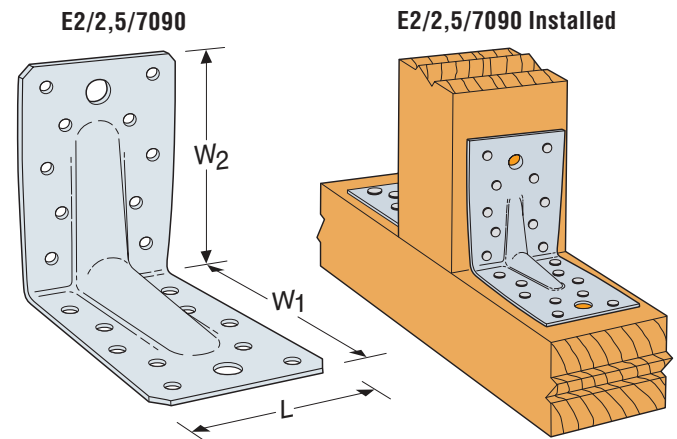
**E** Reinforced Angle Bracket



Heavy angles for general connecting of timber at 90° angles. Reinforced ribs add extra rigidity.

**MATERIAL:** Pre-galvanised mild steel.

Model No.	Dimensions (mm)				Fixing Holes	
	Thickness	W <sub>1</sub>	W <sub>2</sub>	L	Nails	Bolts
E5/2	2.0	75	48	65	13	2 <sup>2</sup>
E2/2,5/7090	2.5	90	90	65	16	2 <sup>2</sup>
E9S/2,5	2.5	90	150	65	22	3 <sup>2</sup>
E9/2,5	2.5	150	150	65	28	4 <sup>2</sup>
EB/7070	2.0	70	70	55	12	2 <sup>1</sup>
EB/7076	3.0	48	90	76	19	4 <sup>3</sup>
ABR105-R	3.0	105	105	90	24	4 <sup>2</sup>



- 1. 8.5mm,
- 2. 11mm
- 3. 13mm

