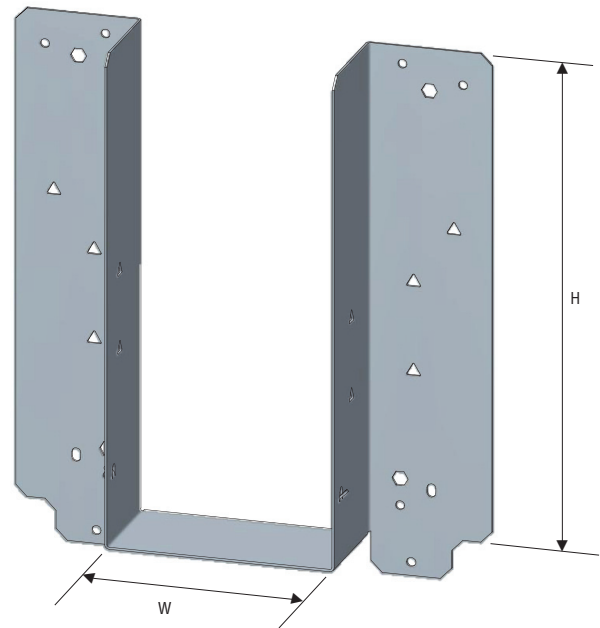


IUQ & HIUQ - Face Fix Hanger for 'SIP' Panels



The IUQ/HIUQ is the first hanger range specifically designed to allow engineered joists to be face fixed to a structural insulated panel (SIP), when used in conjunction with the Simpson Strong-Tie® patented SDS Screws.

- The IUQ and HIUQ (standard and heavy duty respectively) can be used with either open-web or engineered I-joists.
- Joists no longer sit on top of the wall, thus eliminating thermal bridging at the joist/wall junction.
- Cut's down on the time consuming and costly process of placing timber blocking pieces between the joists and the wall panels.
- Installation is simple and efficient, requiring 2 (or 4) SDS screws (also from Simpson Strong-Tie, see table overleaf).
- Positive angle nailing (PAN) of joist to hanger can speed up installation while reducing the chance of splitting the joist bottom chords.



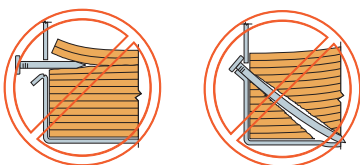
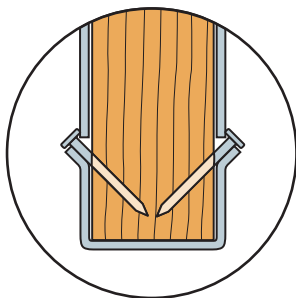
Shown Above: IUQ Hanger

Material:

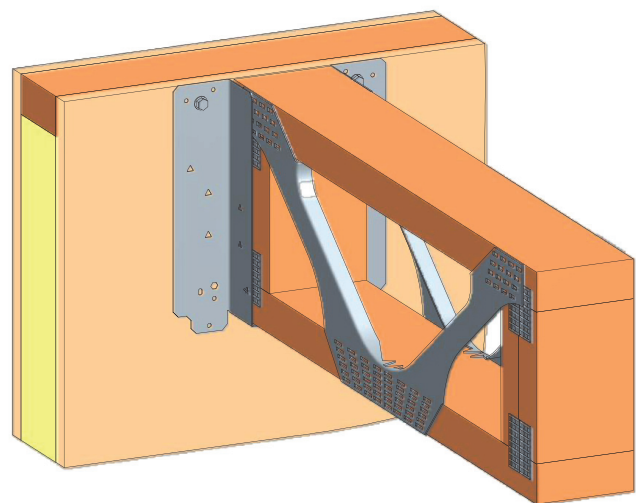
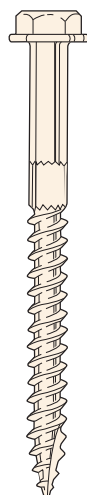
IUQ - 0.9mm pre-galvanised steel.

HIUQ - 2.0mm pre-galvanised steel.

Positive Angle Nailing



SDS Screw

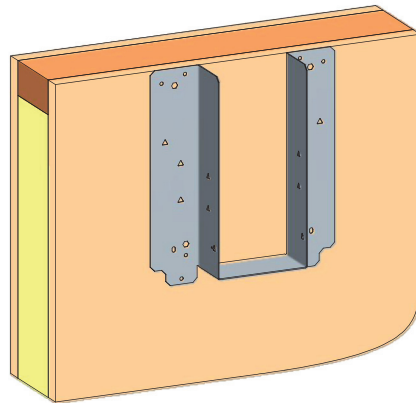


Shown Above: IUQ Hanger Installed with Open-Web Joist

Installation Guide (use all specified fasteners)

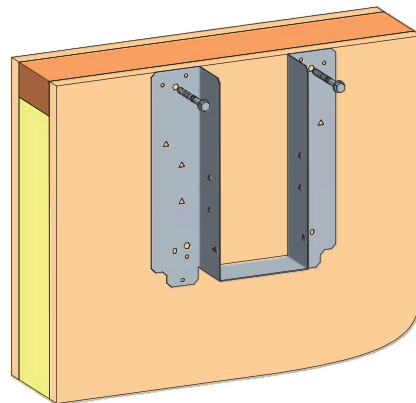
Step 1:

Position the top of the IUQ hanger side flanges level with the top of the SIP panel.



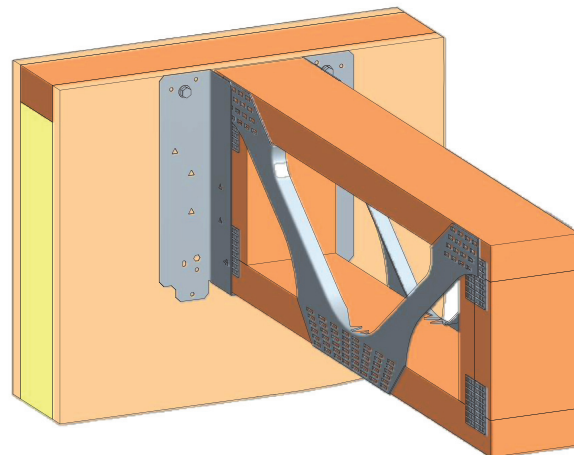
Step 2:

Install 2 x SDS25212 screws into the top hexagonal holes only.



Step 3:

Sit the joist into the IUQ hanger and install a further 2 x 3.75x30mm square twist nails through the PAN nail holes.



IUQ & HIUQ - Face Fix Hanger for 'SIP' Performance Data

Model Series	Size Range		Joist Fastener Qty		Safe Working Loads (kN)		Characteristic Capacity (kN)	
	Height (mm)	Width (mm)	Support (SDS25212)	Carried Member (3.75x30)	Short Term Uplift	Long Term Download	Uplift	Download
IUQ	190 - 450	40 - 100	2	2	1.0	4.1	2.0	9.9
HIUQ	190 - 450	40 - 300	4	8	4.0	8.1	8.0	19.5

Please note:

- 3.75x30 refers to 3.75 x 30mm square twist nail.