

**CEEJAY JOINT FORMERS.**

Provides for longitudinal and vertical masonry movement whilst maintaining lateral stability and providing fire protection if required.

- Reduces the likelihood of unsightliness and error in movement joint construction.
- Fast and simple to fit.
- Independently tested and assessed to provide a safe working load in shear of 500N per tie.
- Adjustable anchor ties to accommodate variation in brick courses.
- Designed to meet the requirements of BS5628 Part 3 -Use of Masonry.
- Fire rated Ceejays are colour red and have been tested in accordance with BS476 Parts 20 & 22, achieving an integrity and insulation rating of 2 or 4 hours respectively.

**MATERIAL:**

Stainless Steel Profiles:	0.7mm stainless steel.
Mild Steel Profiles:	0.8mm pre-galvanised mild steel.
Stainless Steel Ties:	1.5mm stainless steel
Mild SteelTies:	2.0mm mild steel with Delta Coating.
Sleeves:	1.0mm PVC.
Coach Screws:	M6 x 50mm stainless steel or galvanised.
Masonry Plugs:	High density polythene.

**FINISH:**

Stainless steel or pre-galvanised mild steel with epoxy coated powder finish.

**OPTIONS:**

Additional brick spacers are provided when expansion allowance is to be made for clay based bricks.

**TO ORDER:**

Select Ceejay model no. from table (galvanised or stainless steel) and fire rating.  
Fixing packs to suit installation.

For example:

Galvanised Ceejay Construction joint former to suit 100mm blockwork with 2 hour fire rating.  
To be used as Column Fix. Products required are as follows:

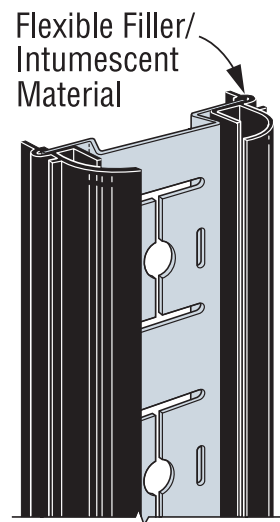
CJG100F2—Profile with 2 hour fire rating.

CJGTPAK—Universal Tie Pack.

CJGPSPAK—Fixing Pack.

To be used with brickwork, replace fire rating code with brick spacer code.

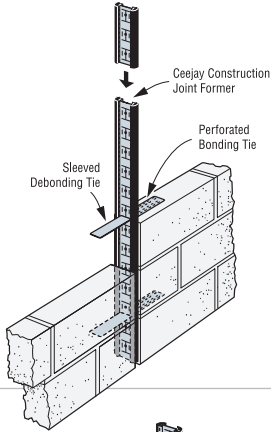
CJG100BS—Profile with brick spacer.



Model No.		Fire Rating	No. of Fixings <sup>2</sup>	Connector Width (mm)	Total Length (mm)	Masonry Width (mm)
Galvanised	Stainless Steel					
CJG100	CJS100	F0	6	77	2400	100
		F2				
		F4				

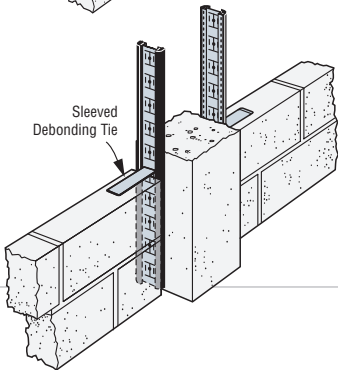
1. F0 – None, F2 – 2 hours, F4 – 4 hours.
2. Number of fixings required for Column Installation.

Fixing Packs		Contents	
Galvanised	Stainless Steel	Description	Qty
<b>Universal Tie Pack</b>			
CJGTPAK	CJSTPAK	150mm Perforated Ties	5
		150mm Sleeved Ties	5
		Washers	6
<b>Plug &amp; Screw Pack</b>			
CJGPSPAK	CJSPSPAK	Wall Plugs	6
		Coach Screws	6
<b>Short In-Line Tie Pack</b>			
CJGILSTPAK	CJSILSTPAK	75mm Perforated Ties	5
		150mm Sleeved Ties	5



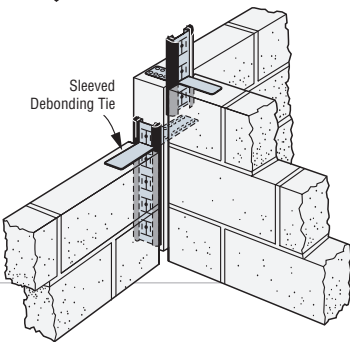
**IN-LINE INSTALLATION:**

- Placed in continuous lengths of wall, typically at centres of 6m in blockwork and 10m in brickwork. Exact locations to be determined by designer.
- Non-interchangeable ties ensure correct installation. Bonding ties provide a fixing to one side of the joint while sleeved ties allow for movement in the other side.



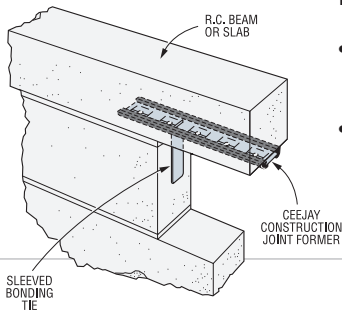
**COLUMN FIX INSTALLATION:**

- May be fixed to existing masonry walls, concrete or steel framework.
- Plug & screw pack and sleeved ties only used from the universal tie pack.



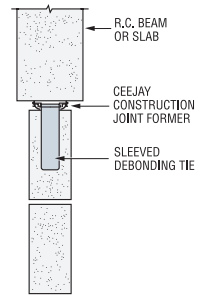
**NEW WALL INTERSECTION INSTALLATION:**

- Ceejay can be used to create construction joint positions at the intersection of two new walls when at right angles.
- Short in-line tie packs make the necessary allowance for masonry thickness.



**HEAD RESTRAINT INSTALLATION:**

- Ceejay can be fixed to underside of beam/slab in line with the head of the wall.
- Ties to be placed (450mm Blocks) in alternate mortar joints (900mm centres).



**HEAD RESTRAINT INSTALLATION**

