

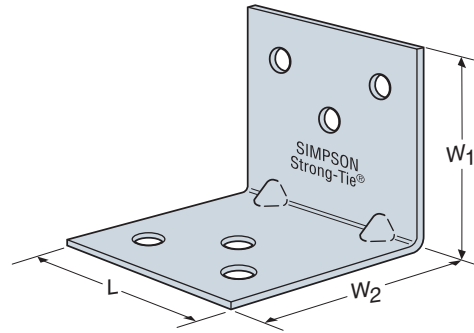
EA Light Reinforced Angle Bracket

THESE ANGLE BRACKETS ARE USED TO ASSEMBLE STRUCTURAL JOINERY FOR INTERNAL APPLICATIONS.

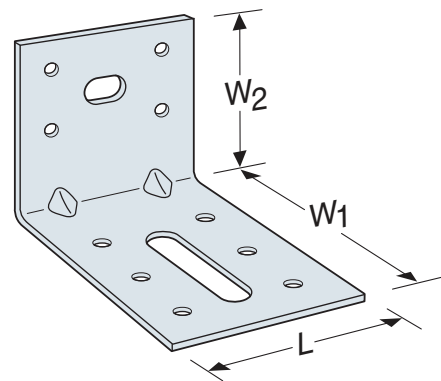
MATERIAL: Pre-galvanised mild steel.

Model No.	Dimensions (mm)				Fixing Holes	
	Thickness	W ₁	W ₂	L	Nails (5mm)	Bolts (11mm)
EA444/2	2.0	40	40	40	6	-
EA554/2	2.0	50	50	40	8	2
EA664/2	2.0	60	60	40	10	2
EA756/2	2.0	50	70	60	8	2

EA444/2 (EA554/2 Similar)



EA756/2



EC Light Duty Angle Bracket

THESE ANGLE BRACKETS ARE USED FOR MANY APPLICATIONS OF DIY. THEY ARE GENERALLY ADAPTED TO REINFORCE STRUCTURAL PIECES OF FURNITURE.

MATERIAL: Pre-galvanised mild steel.

Model No.	Dimensions (mm)				Fixing Holes
	Thickness	W ₁	W ₂	L	Screws (5mm)
EC30/2	2.0	30	30	15	4 x 4.2mm
EC40/2	2.0	40	40	15	4 x 4.2mm
EC50/2	2.0	50	50	15	4 x 4.2mm
EC80/2,5	2.5	80	80	15	6 x 4.2mm
EC90/3	3.0	90	90	18	4 x 5.5mm

EC80/2,5

