

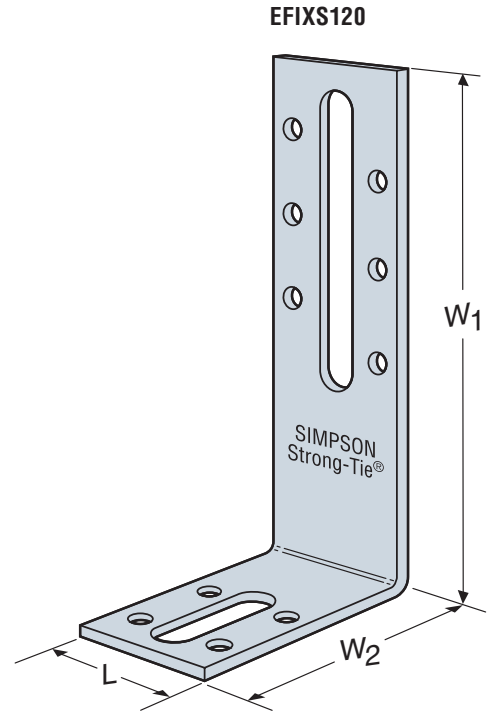
EFIXR/S Adjustable Angle Bracket

THESE ANGLES ARE USED FOR INTERNAL CONNECTIONS.

- Various bracket heights.
- Two slotted fixing holes for easier adjustment.

MATERIAL: Pre-galvanised mild steel.

Model No.	Dimensions (mm)				Fixing Holes	
	Thickness	W ₁	W ₂	L	Nails (5mm)	Bolt Holes (mm)
EFIXR553	2.0	50	50	30	8	6.5 x 30 8.5 x 30
EFIXR753	2.0	70	50	30	9	6.5 x 65 8.5 x 30
EFIXS100	2.5	98	52	30	10	6.5 x 65 8.5 x 30
EFIXS120	3.0	117	52	30	10	6.5 x 65 8.5 x 30

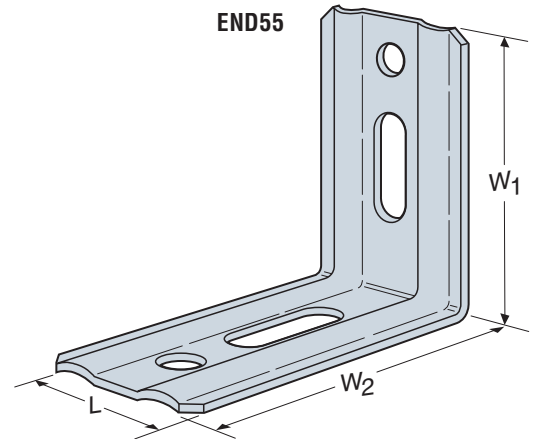


END Multi Angle Bracket

THESE ANGLE BRACKETS ARE DESIGNED TO ENSURE VERSATILITY.

MATERIAL: Pre-galvanised mild steel.

Model No.	Dimensions (mm)				Fixing Holes	
	Thickness	W ₁	W ₂	L	Nails (5mm)	Bolt Holes/Slots
END55	2.0	55	65	30	1	8mm Hole
						6.0 x 20mm Slot
						8.5 x 20mm Slot
END100	2.0	100	65	30	4	8mm Hole
						6.0 x 20mm Slot
						8.5 x 20mm Slot



ES Nail Plate Angle Bracket



SIMPLE ANGLE BRACKETS WHICH ARE VERY VERSATILE, USED FOR TIMBER TO TIMBER CONNECTIONS.

MATERIAL: Pre-galvanised mild steel.

Model No.	Dimensions (mm)				Fixing Holes
	Thickness	W ₁	W ₂	L	Nails (5mm)
ES10/40	2.0	60	60	40	10
ES10/60	2.0	60	60	60	16
ES11/60	2.0	80	80	60	22

