

# SPECIAL CONNECTOR REQUEST - COLUMN CAPS

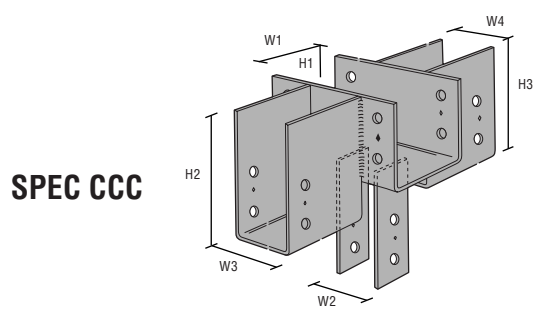
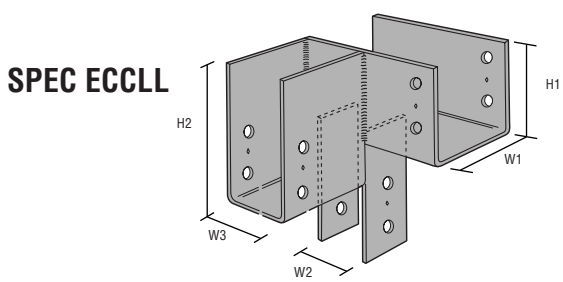
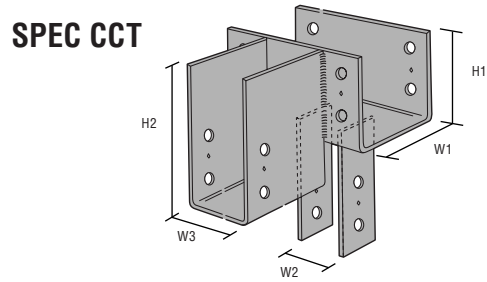
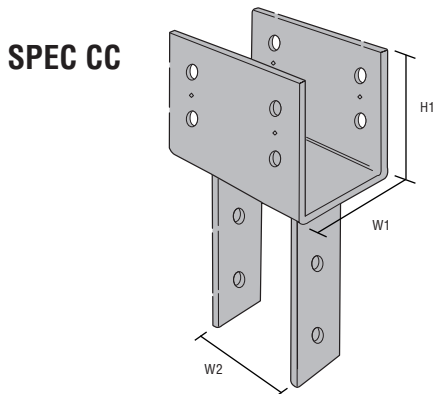


Other specially manufactured column caps are available, contact our Technical Department on 01827 255600.

From:		Company:	
Tel:	Fax:	Date:	Pages:

## Special Manufacture Columns Caps

Coumns Caps	Beam Height H1	Beam Width W1	Beam Height W2	Beam Height H2	Beam Width W3	Beam Height H3	Beam Width W4
SPEC CC							
SPEC CCT							
SPEC NON CAT ECLL							
SPEC NON CAT ECCLR							
SPEC NON CAT CCC							
Date Req:		Qty Req:		Capacity Fk (kN):			



Fill out and fax this form to Simpson Strong-Tie Technical Department on 01827 255629.