

SPECIAL CONNECTOR REQUEST - TOP FLANGE JOIST HANGERS

SIMPSON

Strong-Tie

Simpson Strong-Tie® offers a technical service to aid the design of non-standard connectors including those for timber-to-timber (Glulam, Engineered Wood and Solid Timber), timber-to-masonry and other construction methods.

For face fix timber-to-timber specially manufactured items, see catalogue SAE***X codes specials table (page 38). For other special requirements contact our Technical Department on 01827 255600.

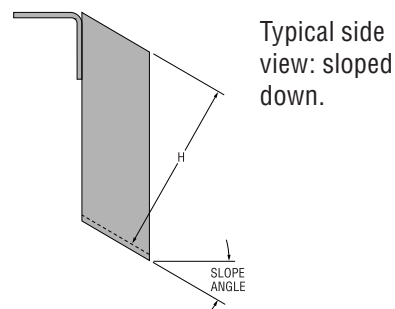
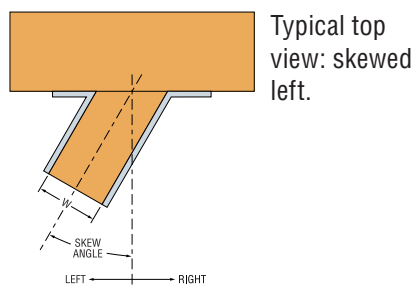
From:		Company:	
Tel:	Fax:	Date:	Pages:

Special Manufacture Timber-to-Timber Top Flange Hangers

Supporting Header Type	Header Height (mm)	Header Width (mm)	Supported Joist Type	Joist Height (mm)	Joist Width (mm)	Skew Angle (L/R)	Slope Angle (Up/Down)
Solid Header			Solid Header				
I-Joist			I-Joist				
I-Joist (Backer Blocks)			I-Joist (Web Stiffeners)				
Open Web Joist			Open Web Joist				
Date Req:		Qty Req:		Capacity Fk (kN):			

Special Manufacture Timber-to-Masonry or Steel Top Flange Hangers

Supporting Header Type	Header Height (mm)	Header Width (mm)	Supported Joist Type	Joist Height (mm)	Joist Width (mm)	Skew Angle (L/R)	Slope Angle (Up/Down)
Masonry 2.8N/mm ²	Min. 675mm masonry above, see relevant catalogue page for more information.		Solid Header				
Masonry 3.5N/mm ²			I-Joist				
Masonry 7N/mm ²			I-Joist (Web Stiffeners)				
Steel			Open Web Joist				
Date Req:		Qty Req:		Capacity Fk (kN):			



Fill out and fax this form to Simpson Strong-Tie Technical Department on 01827 255629.