

L & H Light and Heavy Restraint Straps

H and L straps are designed to The Building Regulations, BS 5268 Part 3 and other building standards for vertical and horizontal restraint when connecting timber floor and roof systems to masonry walls.

- Heavy restraint straps meet requirements for lateral restraint of roof trusses, rafters and joists tied into masonry walls.
- Light restraint straps are designed for vertical loads such as wall plates on top of masonry walls.
- All common sizes in stock from 500 to 2000mm long, 100mm increments.

MATERIAL: H: 30mm x 5mm; L: 30mm x 2.5mm, mild steel.

FINISH: Z300 pre-galvanised and edge coated.

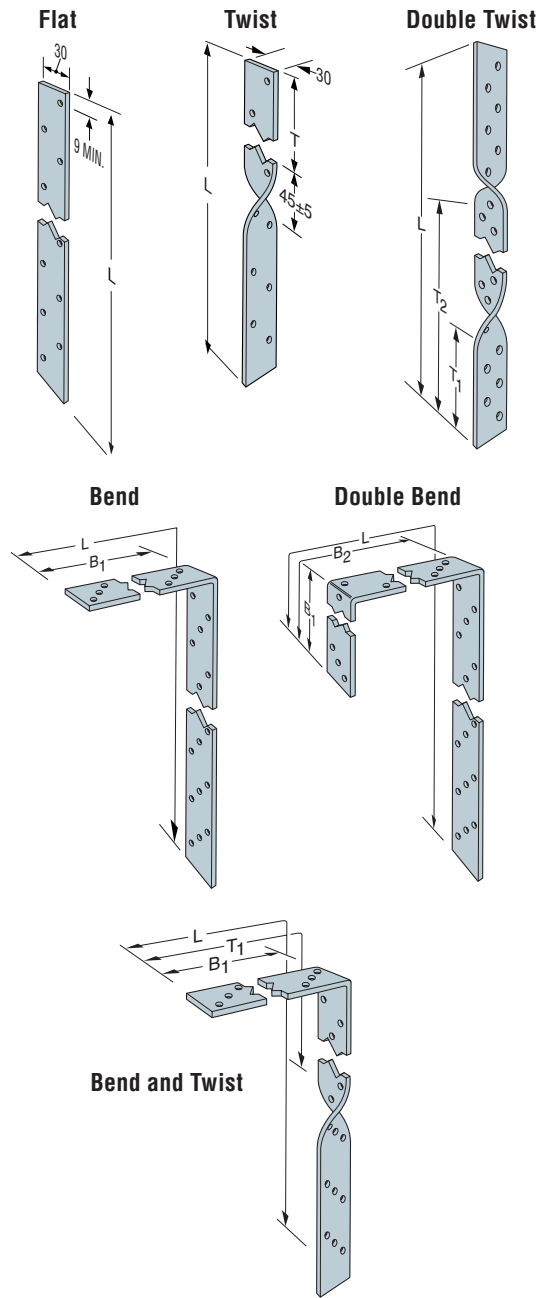
INSTALLATION: Use all specified fasteners. See "General Notes" (page 12).

- Horizontal lateral restraint straps should be spaced not more than 2m centres and attached to at least 3 timber members through the use of noggings and packing. Attach to timber members with four steel screws or four 4mm x 75mm round nails for roofs and two into each joist for floors. The bend length should be a minimum of 100mm and should be positioned at the centre of an uncut block or brick.
- Vertical restraint strapping should be at least 1m long. Where straps are fixed to masonry, hardened nails Ø4mm x 75mm long or wood screws into plugs #12 x 50mm long should be used. The number of fixings should be in accordance with the design requirements and the lowest fixing should be located within 150mm of the bottom of the vertical strap.

TO ORDER: Specify model series, overall length, bend (B) dimension and/or twist (T) dimension.

Example: 30 x 5 strap that has an overall length of 1m, a bend at 10cm and a twist at 20cm. (See illustration for detail on measuring bend & twist dimensions).

H	10	B10	T20
Strap Type	Strap Length (dm)	Bend Length (cm)	Twist Length (cm)



Common Bent Strap Sizes

Model No.	Dimension (mm)	
	L	B ₁
H06B15	600	150
H08B15	800	150
H10B15	1000	150
H12B15	1200	150
H15B15	1500	150
H16B15	1600	150
L06B10	600	100
L10B10	1000	100
L12B10	1200	100

Common Twisted Strap Sizes

Model No.	Dimension (mm)	
	L	T ₁
H06T15	600	150
H10T15	1000	150
L06T10	600	100
L10T10	1000	100
L12T10	1200	100

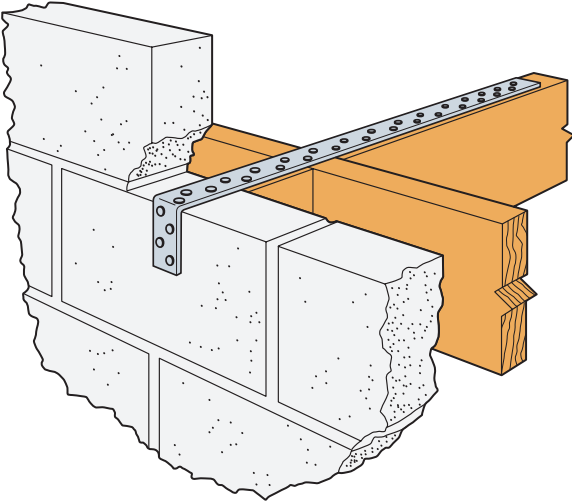
Common Flat Strap Sizes

Model No.	Dimension (mm)
	L
H10F00	1000
L10F00	1000

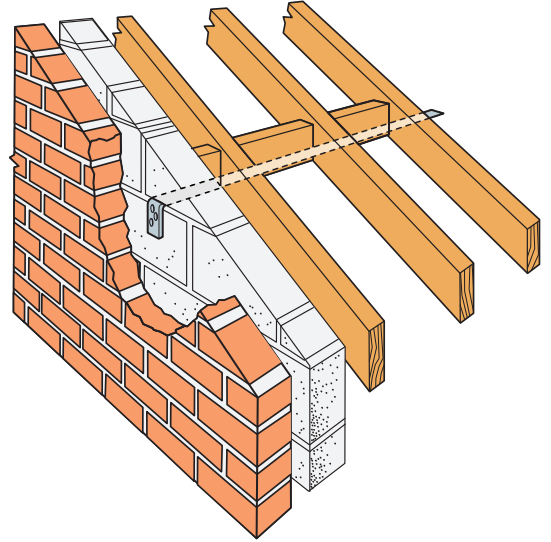
Continued on next page.

TYPICAL STRAP CONFIGURATIONS

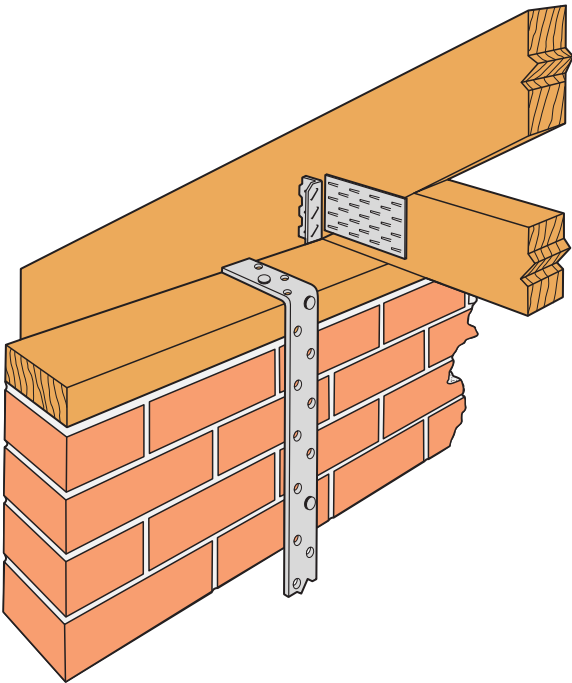
H (Heavy) Strap Configuration 1



H (Heavy) Strap Configuration 2



L (Light) Strap Configuration 1



L (Light) Strap Configuration 2

