

HGUQ Face Fix Heavy Girder Truss - SDS Installation



HGUQ HANGERS ARE SIMILAR TO THE HGUS DOUBLE SHEAR HANGERS, BUT THEY USE SDS SCREWS INSTEAD OF NAILS FOR FASTER AND EASIER INSTALLATION.

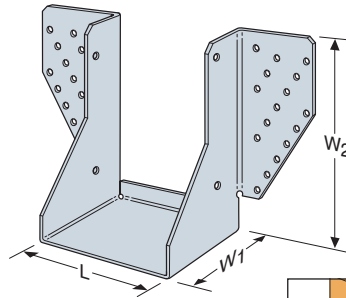
In addition the SDS screws help transfer the load between the plies of the supporting truss when they penetrate all plies.

MATERIAL: 2.5mm pre-galvanised mild steel.

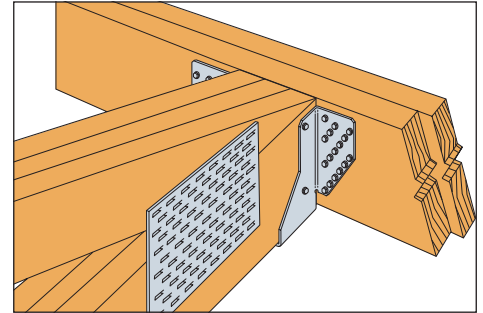
INSTALLATION: Use all specified fasteners. See "General Notes" (page 12).

- Verify that the header can take the required fasteners specified in the table.
- The thickness of the supporting timber must be equal or greater than the screw length.

OPTIONS: Other widths of HGUQ are available as special order. Contact Simpson Strong-Tie for details.



HGUQ Installed



Joist Size (mm)	Model No.	Dimensions			Number of Fasteners		Safe Working Loads (kN)			Characteristic Upload Capacity (kN)	Characteristic Download Capacity (kN)
		W	H	B	Support	Carried Member	Short Term Uplift	Long Term Download	Medium Term Download		
2 PLY 47	HGUQ180/105	105	180	100	32 - SDS25312	4 - SDS25212	3.40	21.00	24.10	6.80	50.40
3 PLY 35	HGUQ180/120	120	180		32 - SDS25312	4 - SDS25212	3.40	21.00	24.10	6.80	50.40
3 PLY 47	HGUQ180/155	155	180		32 - SDS25312	4 - SDS25212	3.40	21.00	24.10	6.80	50.40

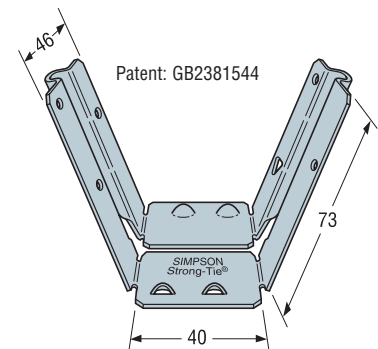
VTC2 Valley Truss Clip

VTC2 IS A VALLEY TRUSS TO COMMON TRUSS CONNECTOR.

- Structural valley connection.
- Field adjustment for pitch. Adjustable between 10 and 40 degrees.
- Eliminates bottom chord bevelling or wedging.
- Reduces valley installation cost.
- Reduces valley truss manufacture cost.

MATERIAL:

Pre-galvanised mild steel.



Model No.	No. Fasteners		Safe Working Load (kN)	
	Common Truss (3.35mm x 65mm)	Valley Truss (3.75mm x 30mm)	Uplift Long Term	Download Long Term
VTC2	4	5	0.76	2.00

1. 3.75mm x 30mm refers to square twist nails.

