

THE HRC IS A ONE-PIECE CONNECTOR FOR SUPPORTING HIP MEMBERS FROM THE RIDGE BEAM OR RAFTERS

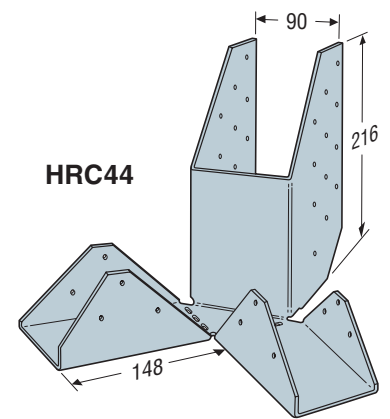
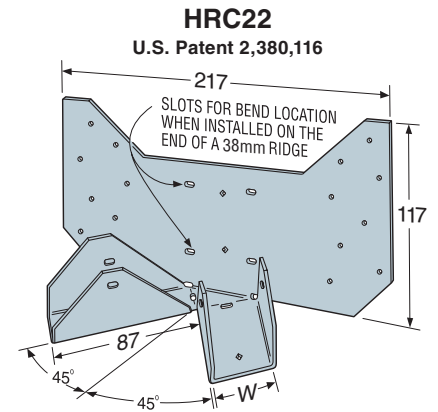
The HRC is a one-piece connector for supporting hip members from the ridge beam or rafters. It is site adjustable slope for right and left 45° skewed rafters.

MATERIAL:

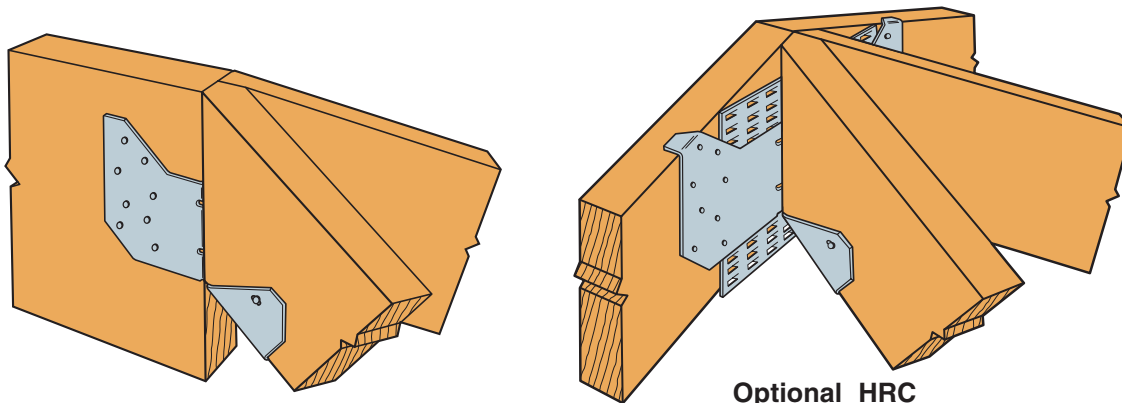
HRC22 and HRC1.81: 1.5mm pre-galvanised mild steel
 HRC44: 2.0mm pre-galvanised mild steel
 HRC50: 1.5mm pre-galvanised mild steel

INSTALLATION:

- On the end of the ridge, use optional slots to secure the HRC22, HRC50 and HRC1.81. Bend face flanges back flush with the ridge, and complete the nailing.
- On face of ridge, adjust to correct height and install nails.
- Obround nail holes ease rafter installation.
- Optional diamond holes on the HRC range (except HRC44) are for installation convenience.
- Double bevel cut hip members to achieve full bearing capacity.
- May be sloped to 45° with no reduction in loads.



Typical HRC Installation on the Edge of a Ridge



Optional HRC Installation

Catalogue C-UK10 © 2010 SIMPSON STRONG-TIE COMPANY, INC.

Roof Connectors

Model No.	Dimensions (mm)		No. Fasteners (3.75mm x 30mm)		Safe Working Loads (kN)			Characteristic Capacity (kN)	
	Width	Ridge	Carrying Member	Each Hip	Short Term Uplift	Down		Up	Down
						Long Term	Medium term		
HRC22	40	38 to 45	16	2	0.93	2.78	3.46	0.94	2.82
HRC1.81	46	38 to 45	16	2	0.93	2.78	3.46	0.94	2.82
HRC50	50	38 to 50	16	2	0.93	2.78	3.46	0.94	2.82
HRC44	90	89	24 ²	6 ²	1.85	6.18	6.81	3.52	10.36

1. Performance values shown are for each hip. Total load carried by the connector is double this number.
 2. Use 4.0mm x 90mm nails with the HRC44.