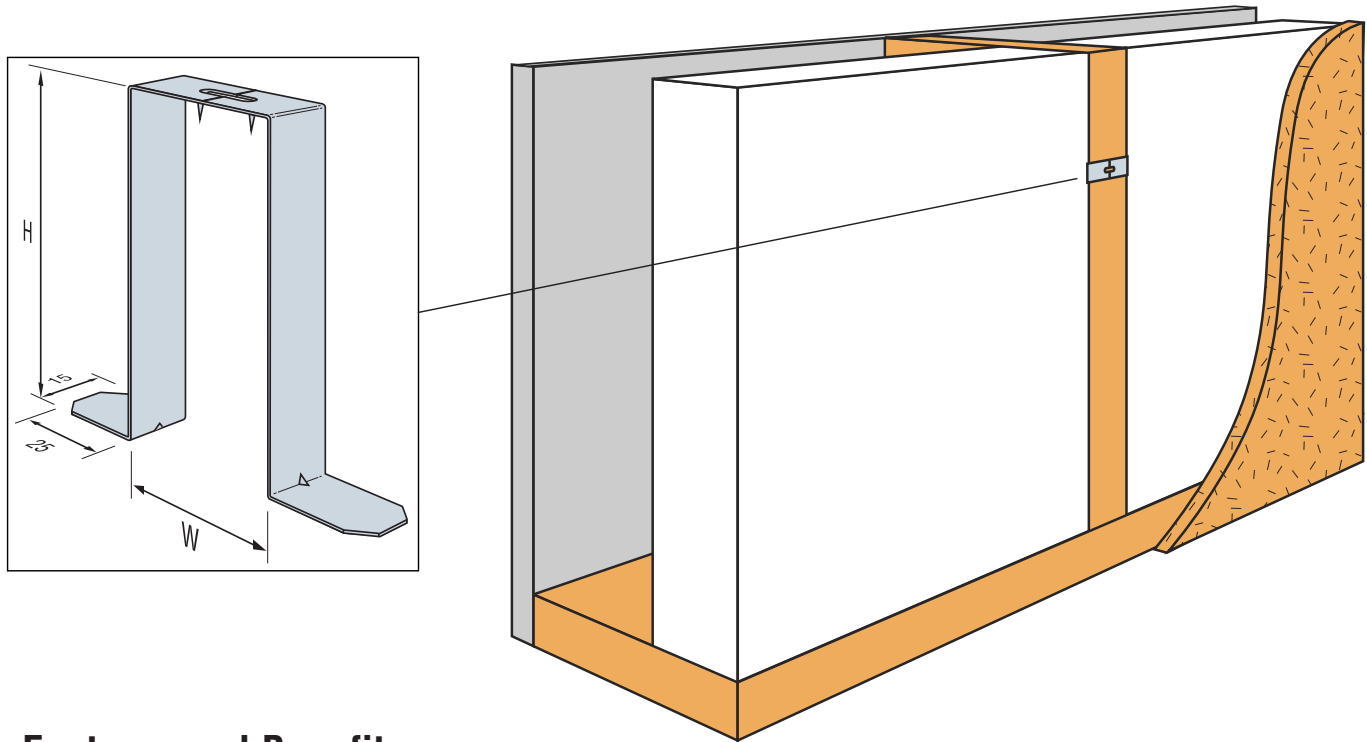


Holds Rigid Insulation Within Timber Frame Panels

The IC Insulation clip provides a quick and simple method of retaining rigid insulation within a timber frame panel, creating a controlled gap for services. The IC saves time by allowing the insulation to be installed from the same side as the sheathing, which eliminates the need to turn the panel during construction. And since it fixes to the stud via the speed prong feature - no nailing is required.



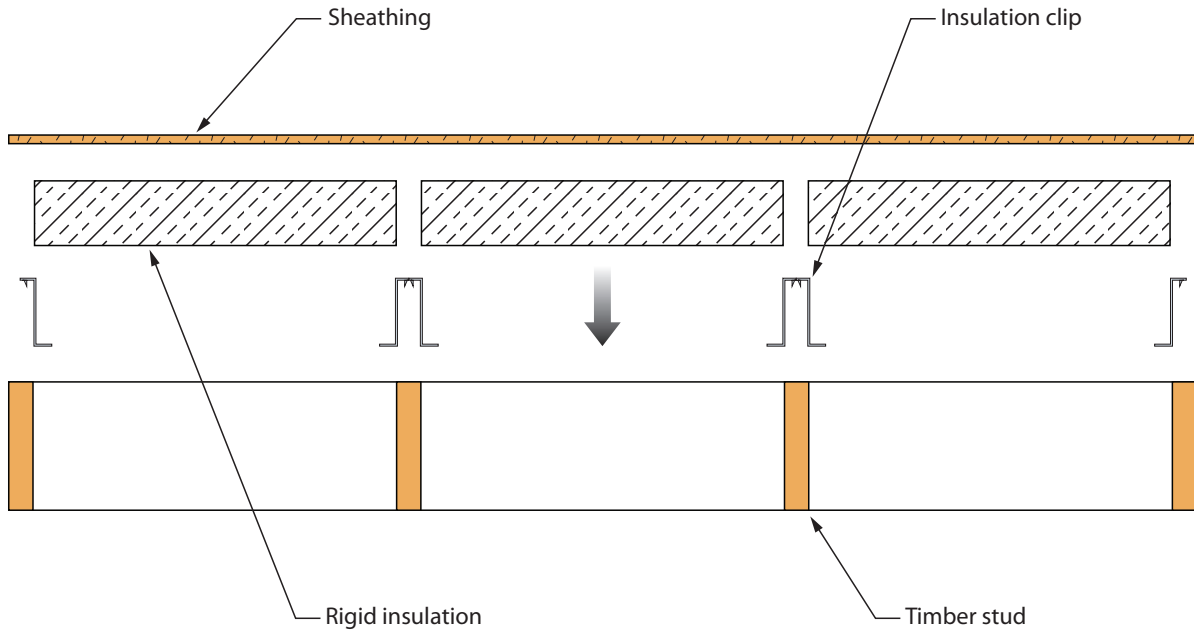
Features and Benefits

- Sizes to suite common stud widths
- Multiple depths to suit common thickness of rigid insulation
- Insulation can be installed from the side side as the sheathing - the panel no longer needs to be turned during construction
- No nails required, speed prong feature fixes into the stud
- Separates into two halves for single use around door and window openings, cripple studs and panel end studs
- Manufactured with 0.5mm galvanised steel

38mm Stud Thickness		
Item Code	Width (mm)	Height (mm)
IC71/38	38	71
IC91/38		91
IC101/38		101
IC106/38		106
IC111/38		111
IC121/38		121
IC165/38		165
IC176/38		176

45mm Stud Thickness		
Item Code	Width (mm)	Height (mm)
IC91/45	45	91
IC101/45		101
IC106/45		106
IC111/45		111
IC121/45		121
IC165/45		165
IC176/45		176

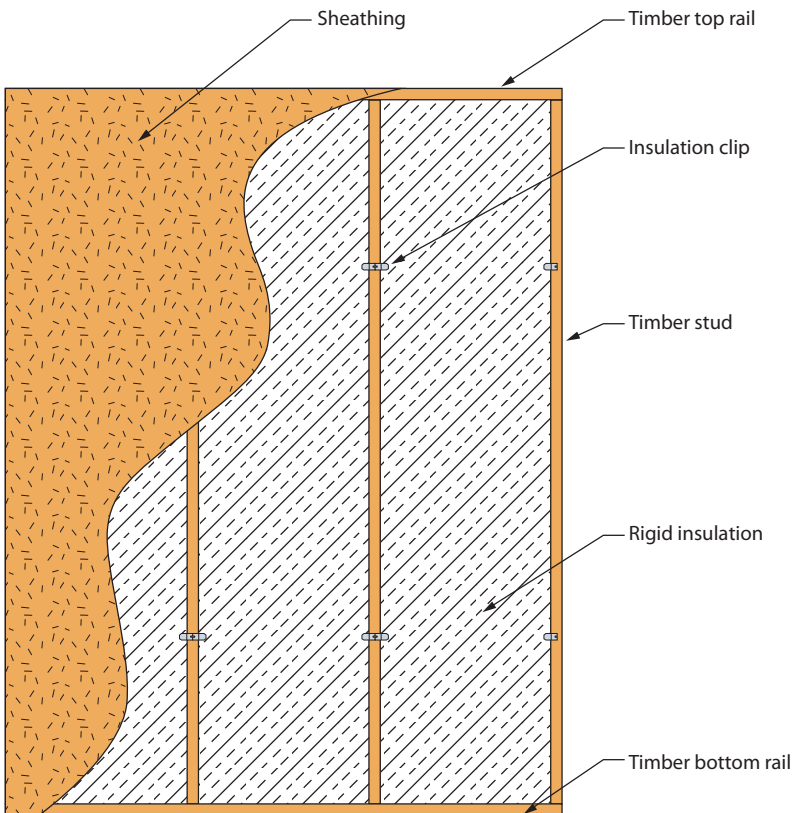
Installation Guide



Instructions

- Make up the timber frame panel with top and bottom rails and studs
- Position IC clips on the studs and fix
- Cut rigid insulation to size and push fit between the studs
- Fix sheathing board onto the panel

Side View



Top View

