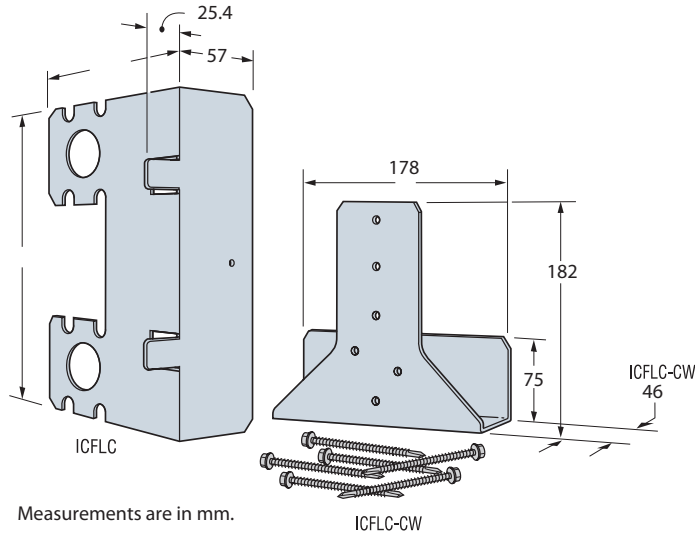


ICF Insulated Concrete Form Hanger

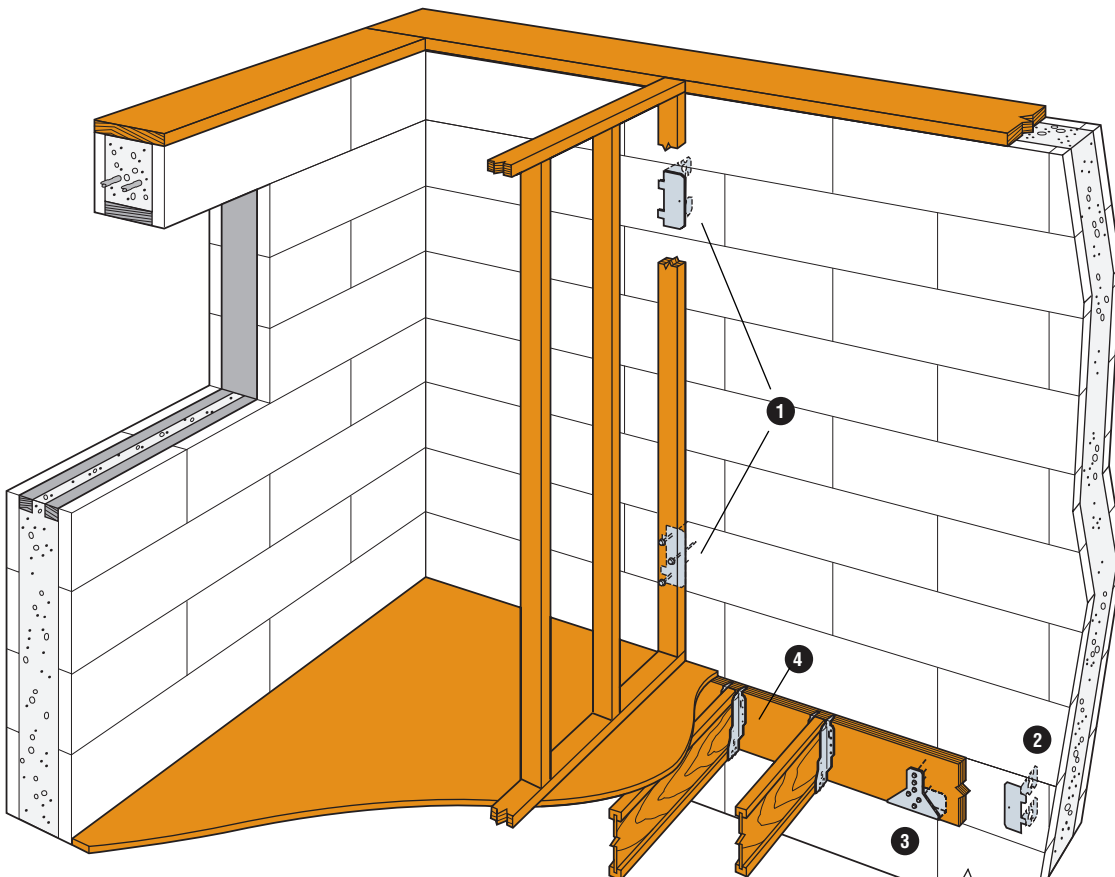


The ICFLC and ICFLC-CW ledger connector system is engineered to solve the challenges of mounting steel or wood ledgers on insulated concrete walls.

The ledger connector system is easy, quick and versatile to use. The perforations in the embedded leg of the ICFLC permit the concrete to flow around it, anchoring the ICFLC securely within the block. The exposed flange provides a structural surface for mounting either a wood or a steel ledger.



- 1 Attach interior partition walls with suitable drill point screws into ICFLC where needed.
- 2 Use ICFLC to attach ledger to ICF.
- 3 Use ICFLC-CW for solid sawn timber.
- 4 Use IUSE hanger for I-joist floor system.

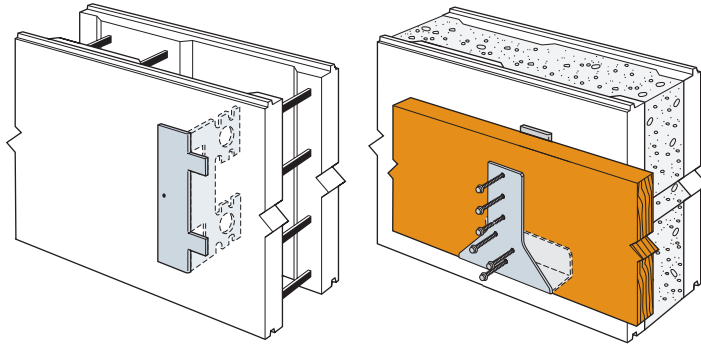


ICF Insulated Concrete Form Hanger

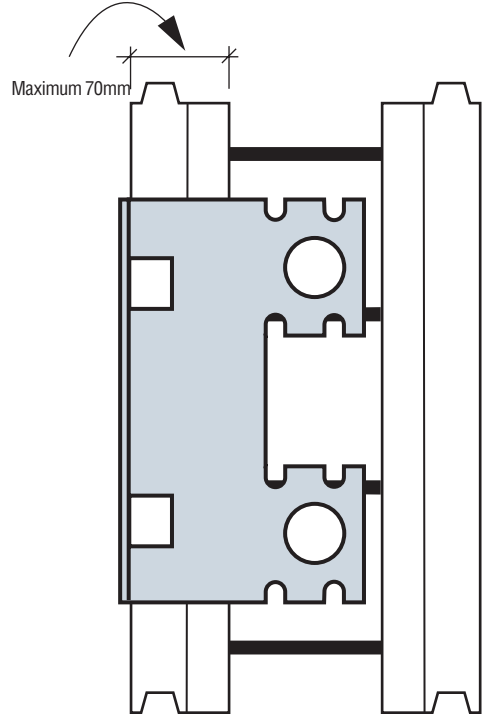
"General Notes" (page 12):

1. Spacings shown apply to vertical loads only.
2. No load duration increase is allowed.
3. Minimum concrete compressive strength (f'_c) is 2,500 psi.
4. Tables shown below address spacing requirements for forms up to 67mm thick. For forms 70mm thick, the allowable download is 7.3kN. Spacing shall be determined by the project design professional.
5. Do not splice ledger at ICFLC location.

WARNING: Industry studies show that hardened fasteners can experience performance problems in wet environments. Accordingly, use this product in dry, interior applications only.



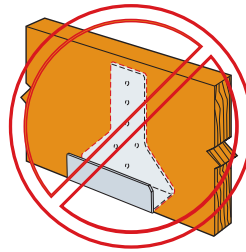
Typical Wood Ledger Installation with ICFLC and ICFLC-CW.



SOLID SAWN WOOD LEDGER - ICFLC with ICFL-CW (67mm forms)

Download per ICF connector (kN)	Maximum Connector Spacing
8.5	1200

1. Use six D3 screws (provided).
2. Loads assume a minimum C16 ledger.



MISINSTALLATION!

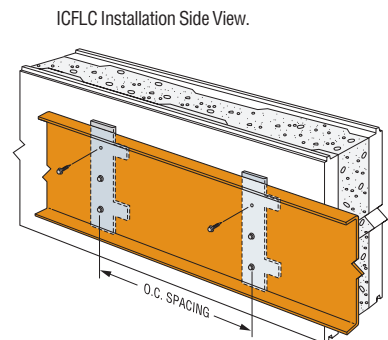
STEEL LEDGER - ICFLC 67mm

Download per ICF connector (kN)	Ledger Thickness (mm)	Connector Spacing
7.3	1.6	350

1. Minimum steel ledger specification is A-653 SS Grade 50.
2. Use three 1/4-14x3/4", #3 drill point screws (not provided).
3. Minimum screw shear capacity is 3.3kN.

Requires 3 screws at each location.

Table provides centre spacing.



Typical Steel Ledger Installation with ICFLC (minimum 1.6mm steel ledger).