



**THE ITSE IS A ONE PIECE, NON WELDED HANGER, TOP FIX HANGER FOR SUPPORTING I-JOISTS FROM TIMBER MEMBERS. MIT HANGERS ARE A ONE-PIECE, NON-WELDED JOIST HANGER FOR SUPPORTING I-JOISTS AND STRUCTURAL COMPOSITE TIMBER FROM TIMBER MEMBERS.**

This new hanger incorporates the “Strong Grip™” which secures the I-Joist without the need for any fasteners - where no uplift is required.

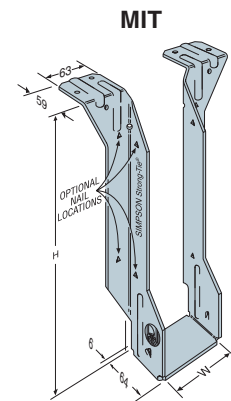
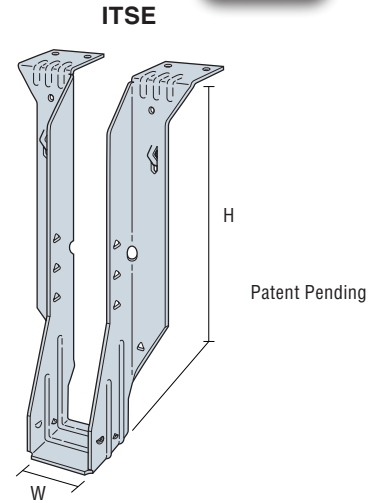
- Value-engineered for maximum performance. The offset seat feature allows better joist bearing positioning. Joist top flanges are laterally restrained by the side of the hanger, eliminating the need for web stiffeners. I-joist manufacturers may require web stiffeners.
- Reduced embossing on the ITSE’s top flange, and the hanger height sized less than the joist height allow easier fitting for smooth floor alignment.
- Patented Positive Angle Nailing (PAN): This feature is specifically designed for wood web I-joists when used with the MIT.
- With Positive Angle Nailing (PAN), the slotted hole material is not removed, but issued to channel and confine the path of the nail to the optimum angle. PAN minimises splitting of the flanges while permitting time-saving nailing from a better angle.
- These models will normally accommodate a skew of up to 5°.

**MATERIAL:**

ITSE—1.2mm pre-galvanised mild steel.  
MIT—1.5mm pre-galvanised mild steel.

**INSTALLATION:**

- Use all specified fasteners. See "General Notes" (page 12). Verify that the header can take the required fasteners specified in the table.
- Face flange triangle hole (optional) secures hanger against header.

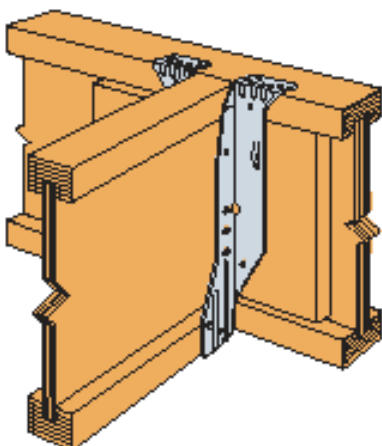


**ITSE SHOT FIRED INSTALLATION**

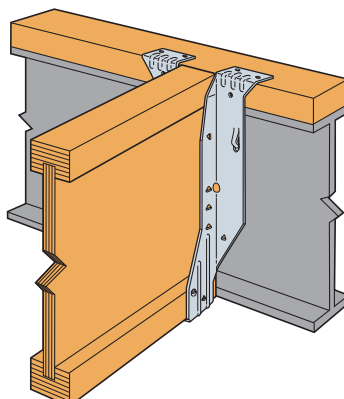
Model No.	Qty Fasteners		Safe Working Load (kN)
	Steel Support	Joist Nails	
40mm to 91mm	4: shot-fired pins	2: 3.75mm x 30mm	5.27

1. The ITSE hanger can be shot-fired to steel. Contact Simpson for details.
2. The shot-fired pins must be installed by a qualified person in accordance with the manufacturer’s installation requirements.
3. Pins must be installed in the round holes provided in the top flange of the ITSE.

Typical ITSE Installation

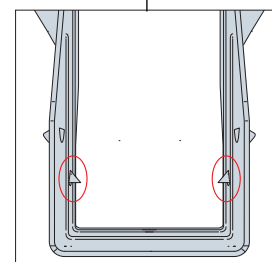


Typical MIT/ITSE Installation on Timber Nailer mounted onto Steel Beam



Use specified fastener installed as shown where uplift is required.

This new hanger incorporates the “Strong Grip™” that secures the I-Joist without the need for any fasteners – where no uplift performance is required.



**ITSE/MIT** I-Joist & Structural Composite Timber Top Flange Hanger



**Top Flange Hangers - ITSE**

Joist Size		Model No.	Dimension (mm)	
Width (mm)	Height (mm)		Height (H)	Width (W)
38	200	ITSE199/41	199	41
	220	ITSE219/41	219	41
	240	ITSE239/41	239	41
	300	ITSE299/41	299	41
45	200	ITSE199/48	199	48
	220	ITSE219/48	219	48
	240	ITSE239/48	239	48
	300	ITSE299/48	299	48
	350	ITSE349/48	349	48
	356	ITSE355/48	355	48
	360	ITSE359/48	359	48
47	145	ITSE144/50	144	50
	195	ITSE194/50	194	50
	200	ITSE199/50	199	50
	220	ITSE219/50	219	50
	235	ITSE234/50	234	50
	240	ITSE239/50	239	50
	245	ITSE244/50	244	50
	300	ITSE299/50	299	50
	350	ITSE349/50	349	50
	400	ITSE399/50	399	50
	51	240	ITSE239/54	239
300		ITSE299/54	299	54
356		ITSE355/54	355	54
58/59	200	ITSE199/61	199	61
	220	ITSE219/61	219	61
	240	ITSE239/61	239	61
	300	ITSE299/61	299	61
	356	ITSE355/61	355	61
	360	ITSE359/61	359	61
	400	ITSE399/61	399	61
60	200	ITSE199/63	199	63
	220	ITSE219/63	219	63
	240	ITSE239/63	239	63
	300	ITSE299/63	299	63
	360	ITSE359/63	359	63
63	195	ITSE194/66	194	66
	220	ITSE219/66	219	66
	225	ITSE224/66	224	66
	235	ITSE234/66	234	66
	240	ITSE239/66	239	66
	245	ITSE244/66	244	66
	300	ITSE299/66	299	66
	356	ITSE355/66	355	66
	406	ITSE405/66	405	66
70	220	ITSE219/73	219	73
	240	ITSE239/73	239	73
	300	ITSE299/73	299	73
	350	ITSE349/73	349	73
	400	ITSE399/73	399	73

**Top Flange Hangers - ITSE**

Joist Size		Model No.	Dimension (mm)	
Width (mm)	Height (mm)		Height (H)	Width (W)
72	195	ITSE194/75	194	75
	220	ITSE219/75	219	75
	235	ITSE234/75	234	75
	245	ITSE244/75	244	75
	300	ITSE299/75	299	75
	350	ITSE349/75	349	75
	400	ITSE399/75	399	75
89	200	ITSE199/92	199	92
	220	ITSE219/92	219	92
	225	ITSE224/92	224	92
	240	ITSE239/92	239	92
	255	ITSE254/92	254	92
	300	ITSE299/92	299	92
	350	ITSE349/92	349	92
	356	ITSE355/92	355	92
	360	ITSE359/92	359	92
	400	ITSE399/92	399	92
406	ITSE405/92	405	92	

**Top Flange Hangers - MIT**

Joist Size		Model No.	Dimension (mm)	
Width (mm)	Height (mm)		Height (H)	Width (W)
45	241	MIT9.5	241	46
	302	MIT11.88	302	46
	356	MIT1.81/14	355	46
	406	MIT1.81/16	406	46
58/59	302	MIT3511.88	302	60
	356	MIT3514	355	60
	406	MIT3516	406	60
2ply 38	235	MIT29.25-2	235	79
	241	MIT29.5-2	241	79
	302	MIT211.88-2	302	79
90	235	MIT9.25-5	235	90
	241	MIT49.5	241	90
	302	MIT411.88	302	90
	356	MIT414	355	90
	406	MIT416	406	90
2ply 58	235	MIT359.25-2	235	116
	241	MIT359.5-2	241	116
	302	MIT3511.88-2	302	120
	356	MIT3514-2	355	120
2ply 63	241	MIT39.5-2	241	127
	302	MIT311.88	301	130