

THE IUB/HIUB HANGER SUPPORTS METAL WEB JOISTS AND SOLID TIMBER JOISTS WITHOUT THE NEED FOR PLYWOOD GUSSETS

The product incorporates the unique features of bottom flanges, which provide enhanced capacity.

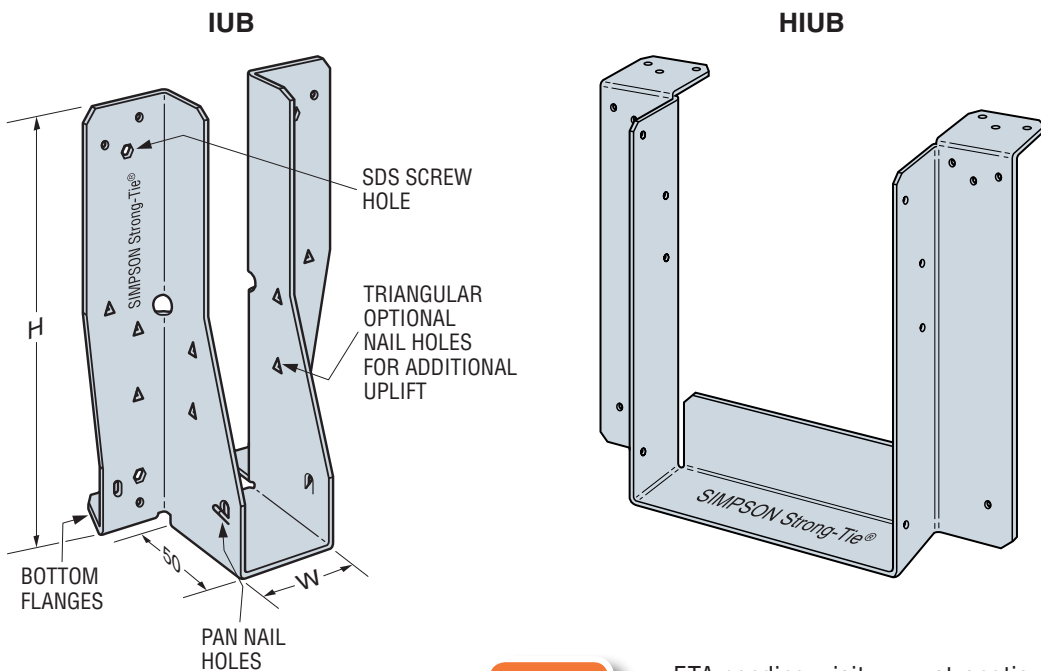
- Can be used on metal web joists or solid joist headers.
- Eliminates the need for plywood gussets when supported from a metal web joist.
- IUB Bottom flanges provide enhanced download capacity and quickly sets the hanger onto the header.
- Obround holes in face to provide easier nailing access in tight locations.
- IUB: Positive Angle Nailing (PAN) of joist to speed installation and reduce the likelihood of splitting.
- IUB has hexagonal holes for SDS screw installation and optional triangular nail holes for additional download, when used in conjunction with a plywood gusset, and additional uplift capacities.

MATERIAL:

IUB: 1.2mm pre-galvanised mild steel.
 HIUB: 2.0mm pre-galvanised mild steel.

INSTALLATION:

- Position the hanger onto the face of supporting floor joist, ensuring the bottom flanges are tight up against the underside of the bottom chord.
- Install 3.75 x 30mm nails into the holes within the hanger bottom flanges. Fill all face round and obround holes with 3.75 x 30mm square twist nails.
- Sit the carried joist into the hanger and install 3.75 x 30mm nails through the angled pan nail holes into the joist.
- For enhanced uplift fill all joist triangular nail holes with 3.75mm x 30mm nails.
- For SDS screw installation the IUB may be installed with 4 No 6.2 x 63mm long SDS screws through the hexagonal holes in the face.

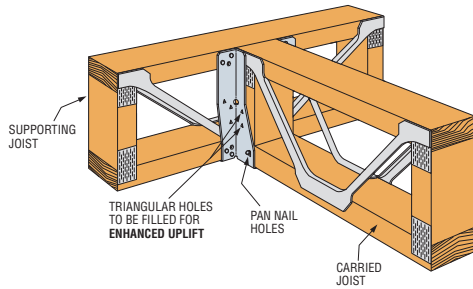


ETA pending, visit www.strongtie.co.uk/bulletins for the latest performance data and CE related information.

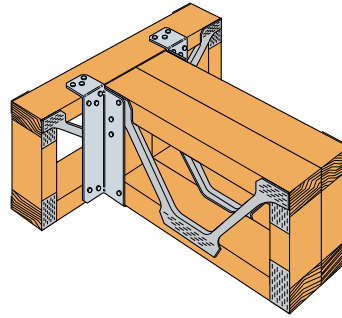
Visit www.strongtie.co.uk/bulletins for further performance information.

IUB/HIUB Metal Web Joist Hanger

Standard IUB Installation



HIUB Installation



IUB Hangers for Standard Installation (Joist Header)

| Joist Width (mm) | Joist Height (mm) | Model No. | Number of Fasteners (Use 3.75mm x 30mm) | | Safe Working Loads (kN) | |
|---------------------|-------------------|------------|---|-------|-------------------------|------------|
| | | | Header | Joist | Download | Uplift |
| | | | | | Long Term | Short Term |
| 72 | 202 | IUB190/75 | 10 | 2 | 3.50 | 1.00 |
| | 225 | IUB215/75 | 10 | 2 | 3.50 | 1.00 |
| | 254 | IUB249/75 | 10 | 2 | 3.50 | 1.00 |
| | 304 | IUB295/75 | 10 | 2 | 3.50 | 1.00 |
| | 373 | IUB375/75 | 10 | 2 | 3.50 | 1.00 |
| | 417 | IUB415/75 | 10 | 2 | 3.50 | 1.00 |
| | 421 | IUB419/75 | 10 | 2 | 3.50 | 1.00 |
| 97 | 202 | IUB190/100 | 10 | 2 | 3.50 | 1.00 |
| | 225 | IUB215/100 | 10 | 2 | 3.50 | 1.00 |
| | 254 | IUB249/100 | 10 | 2 | 3.50 | 1.00 |
| | 304 | IUB295/100 | 10 | 2 | 3.50 | 1.00 |
| | 373 | IUB375/100 | 10 | 2 | 3.50 | 1.00 |
| | 417 | IUB415/100 | 10 | 2 | 3.50 | 1.00 |
| | 421 | IUB419/100 | 10 | 2 | 3.50 | 1.00 |
| 122 | 202 | IUB190/125 | 10 | 2 | 3.50 | 1.00 |
| | 225 | IUB215/125 | 10 | 2 | 3.50 | 1.00 |
| | 254 | IUB249/125 | 10 | 2 | 3.50 | 1.00 |
| | 304 | IUB295/125 | 10 | 2 | 3.50 | 1.00 |
| | 373 | IUB375/125 | 10 | 2 | 3.50 | 1.00 |
| | 417 | IUB415/125 | 10 | 2 | 3.50 | 1.00 |
| | 421 | IUB419/125 | 10 | 2 | 3.50 | 1.00 |
| 1ply 147 2ply 72 | 202 | IUB190/150 | 10 | 2 | 3.50 | 1.00 |
| | 225 | IUB215/150 | 10 | 2 | 3.50 | 1.00 |
| | 254 | IUB249/150 | 10 | 2 | 3.50 | 1.00 |
| | 304 | IUB295/150 | 10 | 2 | 3.50 | 1.00 |
| | 373 | IUB375/150 | 10 | 2 | 3.50 | 1.00 |
| | 417 | IUB415/150 | 10 | 2 | 3.50 | 1.00 |
| | 421 | IUB419/150 | 10 | 2 | 3.50 | 1.00 |

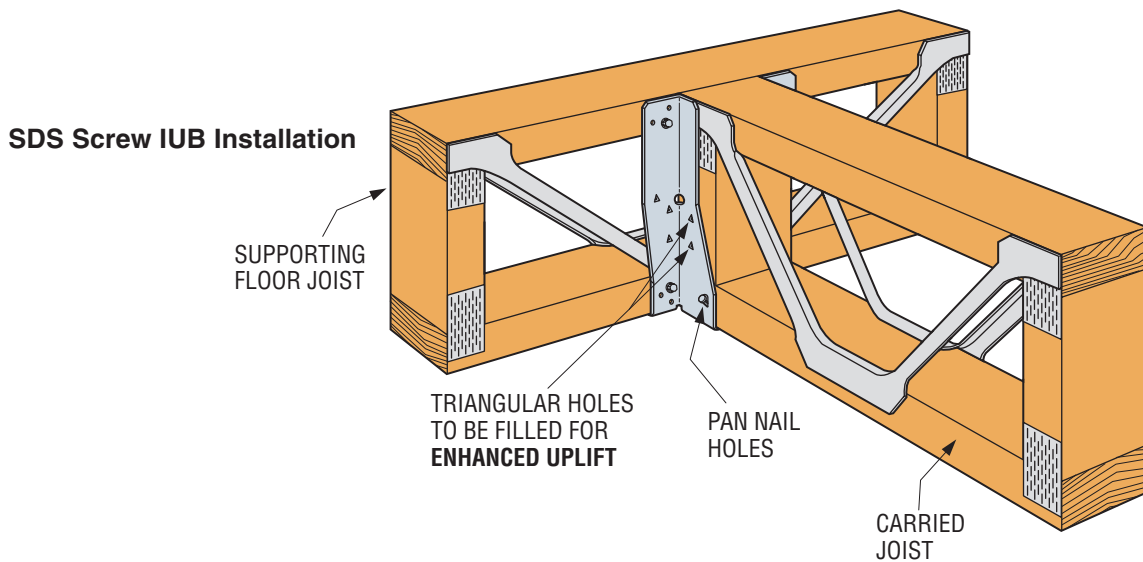
1. 3.75 x 30 refers to a galvanised square twist nail.
 2. Standard Nailed Installation: IUB installed directly onto Metal Web Floor Truss headers without Plywood Gussets.

IUB/HIUB Metal Web Joist Hanger

IUB Hanger Performance Data: SDS Installation

| Joist Width (mm) | Joist Height (mm) | Model No. | Number of Fasteners | | Safe Working Loads (kN) | |
|--------------------|-------------------|------------|-----------------------|-----------------------|-------------------------|------------|
| | | | Header (6.2mm x 63mm) | Joist (3.75mm x 30mm) | Download | Uplift |
| | | | | | Long Term | Short Term |
| 72 | 202 | IUB190/75 | 4 | 2 | 5.80 | 0.96 |
| | 225 | IUB215/75 | 4 | 2 | 7.40 | 0.96 |
| | 254 | IUB249/75 | 4 | 2 | 7.40 | 0.96 |
| | 304 | IUB295/75 | 4 | 2 | 7.40 | 0.96 |
| | 373 | IUB375/75 | 4 | 2 | 7.40 | 0.96 |
| | 417 | IUB415/75 | 4 | 2 | 7.40 | 0.96 |
| | 421 | IUB419/75 | 4 | 2 | 7.40 | 0.96 |
| 97 | 202 | IUB190/100 | 4 | 2 | 5.80 | 0.96 |
| | 225 | IUB215/100 | 4 | 2 | 7.40 | 0.96 |
| | 254 | IUB249/100 | 4 | 2 | 7.40 | 0.96 |
| | 304 | IUB295/100 | 4 | 2 | 7.40 | 0.96 |
| | 373 | IUB375/100 | 4 | 2 | 7.40 | 0.96 |
| | 417 | IUB415/100 | 4 | 2 | 7.40 | 0.96 |
| | 421 | IUB419/100 | 4 | 2 | 7.40 | 0.96 |
| 122 | 202 | IUB190/125 | 4 | 2 | 5.80 | 0.96 |
| | 225 | IUB215/125 | 4 | 2 | 7.40 | 0.96 |
| | 254 | IUB249/125 | 4 | 2 | 7.40 | 0.96 |
| | 304 | IUB295/125 | 4 | 2 | 7.40 | 0.96 |
| | 373 | IUB375/125 | 4 | 2 | 7.40 | 0.96 |
| | 417 | IUB415/125 | 4 | 2 | 7.40 | 0.96 |
| | 421 | IUB419/125 | 4 | 2 | 7.40 | 0.96 |
| 1ply 47 2ply 72 | 202 | IUB190/150 | 4 | 2 | 5.80 | 0.96 |
| | 225 | IUB215/150 | 4 | 2 | 7.40 | 0.96 |
| | 254 | IUB249/150 | 4 | 2 | 7.40 | 0.96 |
| | 304 | IUB295/150 | 4 | 2 | 7.40 | 0.96 |
| | 373 | IUB375/150 | 4 | 2 | 7.40 | 0.96 |
| | 417 | IUB415/150 | 4 | 2 | 7.40 | 0.96 |
| | 421 | IUB419/150 | 4 | 2 | 7.40 | 0.96 |

1. 3.75 x 30 refers to a square twist nail.
2. 6.2 x 63 refers to a SDS Screw available from Simpson Strong-Tie, order code SDS25212.



HIUB Hanger Performance Data

Timber Hangers for I-Joist & Metal Web

| Joist Width (mm) | Joist Height (mm) | Model No. | Number of Fasteners (Use 3.75mm x 30mm) | | Safe Working Loads (kN) | |
|----------------------|-------------------|-------------|---|-------|-------------------------|------------|
| | | | Header | Joist | Download | Uplift |
| | | | | | Long Term | Short Term |
| 72 | 202 | HIUB202/75 | 16 | 8 | 9.30 | 3.80 |
| | 219 | HIUB218/75 | 16 | 8 | 9.30 | 3.80 |
| | 225 | HIUB225/75 | 16 | 8 | 9.30 | 3.80 |
| | 254 | HIUB253/75 | 16 | 8 | 9.30 | 3.80 |
| | 304 | HIUB304/75 | 16 | 8 | 9.30 | 3.80 |
| | 373 | HIUB373/75 | 16 | 8 | 9.30 | 3.80 |
| | 417 | HIUB418/75 | 16 | 8 | 9.30 | 3.80 |
| | 421 | HIUB420/75 | 16 | 8 | 9.30 | 3.80 |
| 97 | 202 | HIUB202/100 | 16 | 8 | 9.30 | 3.80 |
| | 219 | HIUB218/100 | 16 | 8 | 9.30 | 3.80 |
| | 225 | HIUB225/100 | 16 | 8 | 9.30 | 3.80 |
| | 254 | HIUB253/100 | 16 | 8 | 9.30 | 3.80 |
| | 304 | HIUB304/100 | 16 | 8 | 9.30 | 3.80 |
| | 373 | HIUB373/100 | 16 | 8 | 9.30 | 3.80 |
| | 417 | HIUB418/100 | 16 | 8 | 9.30 | 3.80 |
| | 421 | HIUB420/100 | 16 | 8 | 9.30 | 3.80 |
| 122 | 202 | HIUB202/125 | 16 | 8 | 9.30 | 3.80 |
| | 219 | HIUB218/125 | 16 | 8 | 9.30 | 3.80 |
| | 225 | HIUB225/125 | 16 | 8 | 9.30 | 3.80 |
| | 254 | HIUB253/125 | 16 | 8 | 9.30 | 3.80 |
| | 304 | HIUB304/125 | 16 | 8 | 9.30 | 3.80 |
| | 373 | HIUB373/125 | 16 | 8 | 9.30 | 3.80 |
| | 417 | HIUB418/125 | 16 | 8 | 9.30 | 3.80 |
| | 421 | HIUB420/125 | 16 | 8 | 9.30 | 3.80 |
| 1 ply 147 2ply 72 | 202 | HIUB202/150 | 16 | 8 | 9.30 | 3.80 |
| | 219 | HIUB218/150 | 16 | 8 | 9.30 | 3.80 |
| | 225 | HIUB225/150 | 16 | 8 | 9.30 | 3.80 |
| | 254 | HIUB253/150 | 16 | 8 | 9.30 | 3.80 |
| | 304 | HIUB304/150 | 16 | 8 | 9.30 | 3.80 |
| | 373 | HIUB373/150 | 16 | 8 | 9.30 | 3.80 |
| | 417 | HIUB418/150 | 16 | 8 | 9.30 | 3.80 |
| | 421 | HIUB420/150 | 16 | 8 | 9.30 | 3.80 |
| 2ply 97 | 202 | HIUB202/200 | 16 | 8 | 9.30 | 3.80 |
| | 219 | HIUB218/200 | 16 | 8 | 9.30 | 3.80 |
| | 225 | HIUB225/200 | 16 | 8 | 9.30 | 3.80 |
| | 254 | HIUB253/200 | 16 | 8 | 9.30 | 3.80 |
| | 304 | HIUB304/200 | 16 | 8 | 9.30 | 3.80 |
| | 373 | HIUB373/200 | 16 | 8 | 9.30 | 3.80 |
| | 417 | HIUB418/200 | 16 | 8 | 9.30 | 3.80 |
| | 421 | HIUB420/200 | 16 | 8 | 9.30 | 3.80 |
| 2ply 122 | 202 | HIUB202/250 | 16 | 8 | 9.30 | 3.80 |
| | 219 | HIUB218/250 | 16 | 8 | 9.30 | 3.80 |
| | 225 | HIUB225/250 | 16 | 8 | 9.30 | 3.80 |
| | 254 | HIUB253/250 | 16 | 8 | 9.30 | 3.80 |
| | 304 | HIUB304/250 | 16 | 8 | 9.30 | 3.80 |
| | 373 | HIUB373/250 | 16 | 8 | 9.30 | 3.80 |
| | 417 | HIUB418/250 | 16 | 8 | 9.30 | 3.80 |
| | 421 | HIUB420/250 | 16 | 8 | 9.30 | 3.80 |
| 2ply 147 | 202 | HIUB202/300 | 16 | 8 | 9.30 | 3.80 |
| | 219 | HIUB218/300 | 16 | 8 | 9.30 | 3.80 |
| | 225 | HIUB225/300 | 16 | 8 | 9.30 | 3.80 |
| | 254 | HIUB253/300 | 16 | 8 | 9.30 | 3.80 |
| | 304 | HIUB304/300 | 16 | 8 | 9.30 | 3.80 |
| | 373 | HIUB373/300 | 16 | 8 | 9.30 | 3.80 |
| | 417 | HIUB418/300 | 16 | 8 | 9.30 | 3.80 |
| | 421 | HIUB420/300 | 16 | 8 | 9.30 | 3.80 |