

LUS, HUS AND HGUS ARE A ONE PIECE, NON-WELDED, JOIST HANGER FOR SUPPORTING MONO TRUSSES AND GIRDER TRUSSES FROM TIMBER MEMBERS.

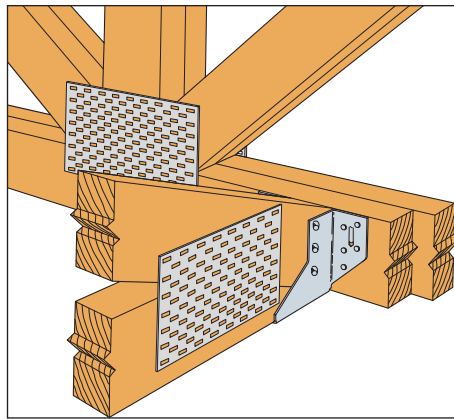
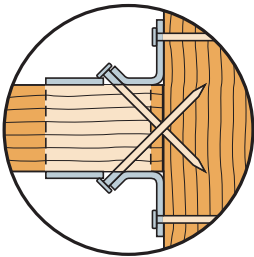
- Double shear nailing allows distribution of the carried member's load through two points on each nail for greater strength (see illustration). It also allows fast installation with fewer nails, using common nails for all connections.

MATERIAL: LUS: 1.0mm pre-galvanised mild steel.
 HUS: 1.2mm pre-galvanised mild steel.
 HGUS: 2.5mm pre-galvanised mild steel.

- INSTALLATION:** Use all specified fasteners. See "General Notes" (page 12).
- Verify that the header can take the required fasteners specified in the table.
 - 75mm nails must be driven at 45° into joist dome or pan nail holes, through the carrying member and into the carried member to achieve the table loads.

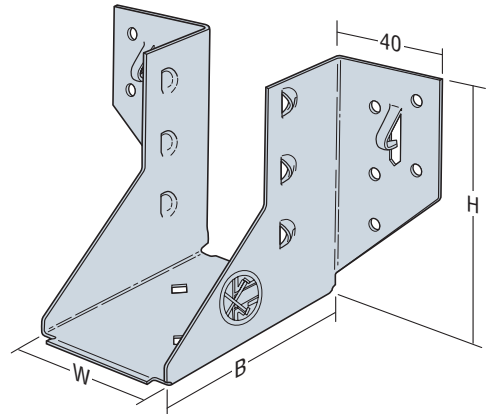
- OPTIONS:**
- Other widths of HGUS are available as special order. Contact Simpson Strong-Tie for details.
 - The LUS & HUS are fully die formed and cannot be modified.

Typical HUS Installation



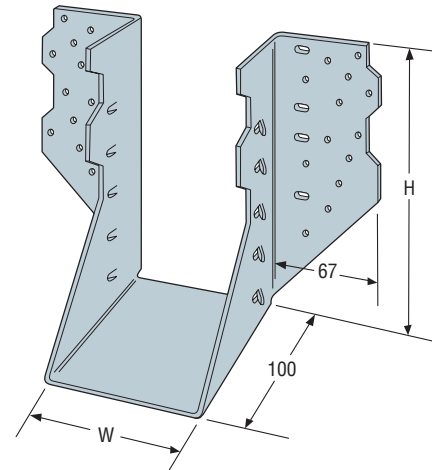
HUS230/50 (LUS Similar)

EPC Pat. Pending (FR) (DE) (GB)



One hit of the speed prong on some HUS and LUS models positions the hanger for header nailing.

HGUS



Joist Size (mm)	Model No.	Dimensions			Number of Fasteners		Safe Working Loads (kN)		Characteristic Capacity (kN)
		W	H	B	Support	Carried Member	Long Term Download	Medium Term Download	Download
Mono Truss Shoe									
1ply 35 or 38 x 100 to 150	LUS230/38	38	96	75	10 (3.75mm x 30mm)	6 (3.75mm x 75mm)	4.45	5.09	8.36
1ply 35 or 38 x 100 to 150	HUS230/38	38	96				5.90	6.80	8.36
44 x 100 to 150	LUS230/44	44	93				4.45	5.09	7.98
44 x 100 to 150	HUS230/44	44	93				5.60	6.50	7.98
1ply 47 or 50 x 100 to 150	LUS230/50	50	90				4.45	5.09	7.60
1ply 47 or 50 x 100 to 150	HUS230/50	50	90				5.60	6.50	7.60
Girder Hangers									
2ply 35	HGUS125/80N	80	123	100	20 ¹	8 ¹	10.08	11.52	-
2ply 35	HGUS145/80N	80	145		28 ¹	10 ¹	15.14	17.31	-
2ply 47	HGUS125/105N	105	110		20 ¹	8 ¹	10.08	11.52	-
2ply 47	HGUS145/105N	105	145		28 ¹	10 ¹	15.14	17.31	-
3ply 35	HGUS145/120N	120	145		28 ¹	10 ¹	15.14	17.31	-
3ply 47	HGUS145/155N	155	145		28 ¹	10 ¹	15.14	17.31	-

1. 3.75 x 75mm Round Wire Nails supplied with hanger.