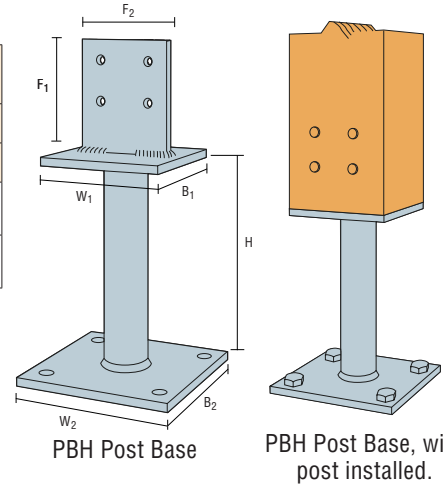


**PBH** Post Base

The PBH is a heavy duty elevated post base to suit various sizes of timber and Glulam post.

Model No.	Dimensions (mm)							Bolts Base		Bolts Post	
	Top Plate		Lower Plate		F <sub>1</sub>	F <sub>2</sub>	H	Qty	Dia.	Qty	Dia.
	W <sub>1</sub>	B <sub>1</sub>	W <sub>2</sub>	B <sub>2</sub>							
PBH75	75	75	100	160	110	45	200	2	13	2	8.5
PBH120	120	120	155	155	110	90	200	4	13	4	8.5



**MATERIAL:** Plate 8mm mild steel.  
**FINISH:** Hot Dip galvanised.

- Non-standard sizes available to order.
- Dowels are supplied with the post base.

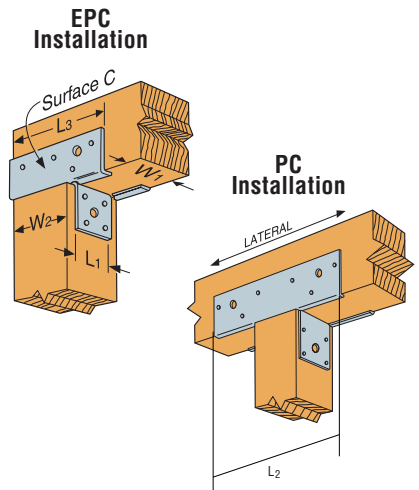


**EPC/PC** Post Caps

SPECIALLY PRODUCED CONNECTORS FOR POST-BEAM CONNECTIONS.

The PC extension beam side plates function as tie straps where splices occur. EPC versions should be used for conditions when the beam ends at a post. PC and EPC are manufactured from 2.5mm pre-galvanised mild steel.

Model No.	Post Size (mm)	Dimensions (mm)					Fasteners (4.0mm x 90mm)			SWL (kN)	
		W <sub>1</sub>	W <sub>2</sub>	L <sub>1</sub>	L <sub>2</sub>	L <sub>3</sub>	Surfaces			Short Term	
							A	B	C	Uplift	Lateral
<b>Post Caps</b>											
PC44	89 X 89	90	90	67	280	-	4	6	-	6.18	4.11
<b>End Post Caps</b>											
EPC44	89 X 89	90	90	67	-	185	4	-	4	6.18	4.76



**CC** Column Caps

Column caps can be made to order for standard timber or composite wood sizes. Bolts must be ordered separately.

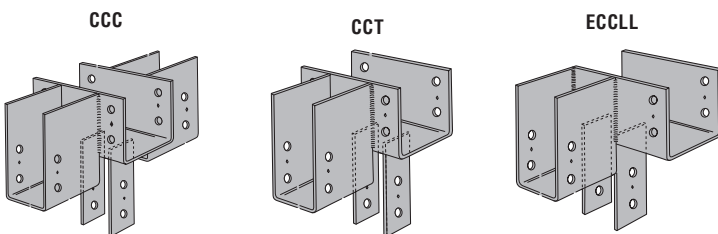
CC, ECC, CCC, CCT & ECCLL combinations are available to order. Contact Simpson Strong-Tie for details.

Dimensions	Range (mm)	
	Min.	Max.
W <sub>1</sub>	75	225
W <sub>2</sub>	75	250
H <sub>1</sub>	100	200
L	280	

**MATERIAL:** 5mm mild steel.  
**FINISH:** Hot Dip Galvanised.

**INSTALLATION:** Use 16mm bolts.

**TO ORDER:** Specify W<sub>1</sub>, W<sub>2</sub> & H<sub>1</sub> dimensions. Please contact Simpson Strong-Tie's Technical Department for connector capacities.



ECCLR = opposite hand.

