

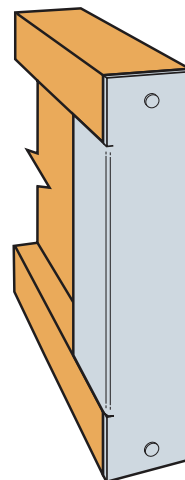
## SIMPSON END SEAL: ONE SOLUTION FOR AIR LEAKAGE AND SOUND TRANSFERENCE REQUIREMENTS.

The SES Simpson End Seal provides a fast and effective solution to reduce air leakage through 'pocket masonry' in block wall. Once installed, it removes the need for mastic sealant around the perimeter of joists (subject to good workmanship when mortar keying).

The SES is a cost effective way to help comply with the requirements of Part L (reduced air leakage) and Part E (reduced sound transference).

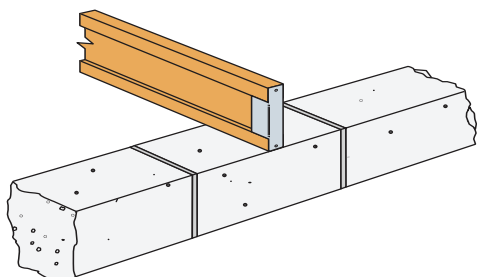
The SES allows for a full 100mm bearing of joist onto masonry walls.

- Air leakage - reduces air leakage without the need for mastic sealant.
- Sound - meets the sound requirements of a proprietary joist cap as specified by Appendix A, Robust Details Part E Handbook.
- Fire - provides 1 hour of fire resistance (in compliance with Approved Document B).
- Can be used on external and party walls.
- Meets the NHBC Technical requirements.
- Allows for full 100mm bearing on joist onto masonry walls.
- Secure fixing - provided by 30mm Square Twist Nails.



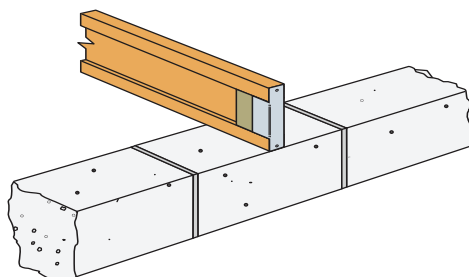
### INSTALLATION STAGE 1

Prepare block work to accept floor joists - no need for mortar on top. Position floor joists onto wall (only 1 joist shown for clarity). Fit the End Seal to the end of the joist as shown. Ensure that the End Seal is tight against the joist end. Secure with two No. 3.75mm x 30mm Square Twist Nails.



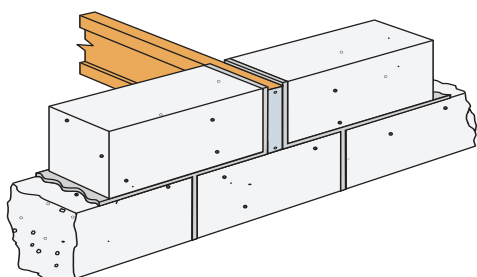
### INSTALLATION STAGE 2

Apply mortar to the void in between the two flanges of the I-joist on both sides, ensuring the mortar is packed against the End Seal.



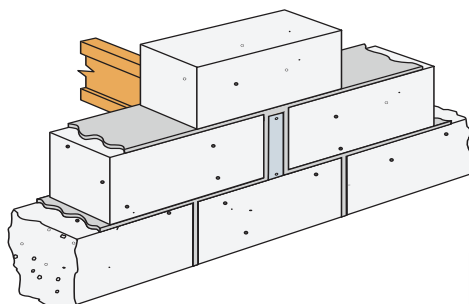
### INSTALLATION STAGE 3

Lay a bed of mortar onto the top of the blocks ensuring mortar is laid tight up against joist end. Lay blocks either side of the joist, ensuring mortar is applied to the block ends.



### INSTALLATION STAGE 4

Lay the next bed of mortar on top of the blocks. Continue to build the wall as normal.



Visit [www.strongtie.co.uk/bulletins](http://www.strongtie.co.uk/bulletins) for further performance information.

**END SEAL OPTIONS AVAILABLE**

Flange Height	Joist Dimsions (mm)		Item Code
	Height	Width	
39	200	38	SES118/38
39	220	38	SES138/38
35	220	38	SES146/38
39	240	38	SES158/38
35	241	38	SES167/38
39	300	38	SES218/38
35	302	38	SES228/38
45	195	45	SES101/45
39	200	45	SES118/45
45	200	45	SES118/45
39	220	45	SES138/45
45	220	45	SES126/45
45	220	45	SES146/45
39	240	45	SES158/45
45	240	45	SES146/45
35	241	45	SES167/45
45	245	45	SES151/45
39	300	45	SES218/45
45	300	45	SES206/45
35	302	45	SES228/45
45	350	45	SES256/45
39	360	45	SES278/45
45	360	45	SES266/45
39	400	45	SES318/45
45	195	47	SES101/47
47	220	47	SES122/47
45	120	47	SES126/47
45	235	47	SES141/47
47	240	47	SES142/47
45	245	47	SES151/47
47	300	47	SES202/47
45	300	47	SES206/47
47	350	47	SES252/47
47	400	47	SES302/47
28	235	51	SES179/51
28	296	51	SES240/51
28	350	51	SES294/51
39	200	58	SES118/58
39	220	58	SES138/58
35	220	58	SES146/58
39	240	58	SES158/58
35	241	58	SES167/58
39	300	58	SES218/58
35	302	58	SES228/58
35	356	58	SES282/58
39	360	58	SES278/58
39	400	58	SES318/58
35	406	58	SES332/58
38	215	59	SES159/59
28	235	59	SES179/59
38	276	59	SES220/59
28	296	59	SES240/59
38	330	59	SES274/59
28	350	59	SES294/59
38	380	59	SES324/59
45	195	60	SES101/60
45	200	60	SES106/60
45	220	60	SES126/60
45	240	60	SES146/60
45	245	60	SES151/60
45	300	60	SES206/60
45	350	60	SES256/60
45	400	60	SES306/60

**END SEAL OPTIONS AVAILABLE**

Flange Height	Joist Dimsions (mm)		Item Code
	Height	Width	
45	195	63	SES101/63
45	220	63	SES126/63
38	220	63	SES138/63
45	235	63	SES141/63
38	225	63	SES143/63
45	245	63	SES151/63
38	220	63	SES138/63
38	241	63	SES159/63
45	300	63	SES206/63
38	302	63	SES220/63
38	356	63	SES274/63
38	406	63	SES324/63
28	235	65	SES179/65
28	296	65	SES240/65
28	350	65	SES294/65
28	400	65	SES344/65
47	220	70	SES122/70
47	240	70	SES142/70
47	300	70	SES202/70
47	350	70	SES252/70
47	400	70	SES302/70
45	195	72	SES101/72
45	220	72	SES126/72
45	245	72	SES151/72
45	300	72	SES206/72
45	350	72	SES256/72
45	400	72	SES306/72
39	200	89	SES118/89
39	194	89	SES138/89
38	225	89	SES143/89
35	220	89	SES146/89
39	240	89	SES158/89
38	241	89	SES158/89
39	240	89	SES156/89
38	215	89	SES159/89
35	241	89	SES167/89
39	300	89	SES218/89
38	276	89	SES220/89
35	302	89	SES228/89
38	330	89	SES274/89
35	356	89	SES282/89
39	360	89	SES278/89
39	400	89	SES318/89
38	380	89	SES324/89
35	406	89	SES332/89
45	200	90	SES106/90
45	220	90	SES126/90
60	220	90	SES96/90
45	240	90	SES146/90
60	240	90	SES116/90
45	300	90	SES206/90
60	300	90	SES176/90
60	350	90	SES226/90
45	360	90	SES266/90
45	350	90	SES256/90
45	400	90	SES306/90
60	400	90	SES276/90
45	195	97	SES101/97
45	220	97	SES126/97
45	245	97	SES151/97
45	300	97	SES206/97
45	350	97	SES256/97
45	400	97	SES306/97
45	450	97	SES356/97