



**THESE HEAVY-DUTY TRUSS HANGERS ARE DESIGNED TO SUPPORT MULTIPLE PLY GIRDER TRUSSES FROM VERTICAL TRUSS MEMBERS.**

**MATERIAL:** 3mm pre-galvanised mild steel, Skewed THG: 3mm mild steel.

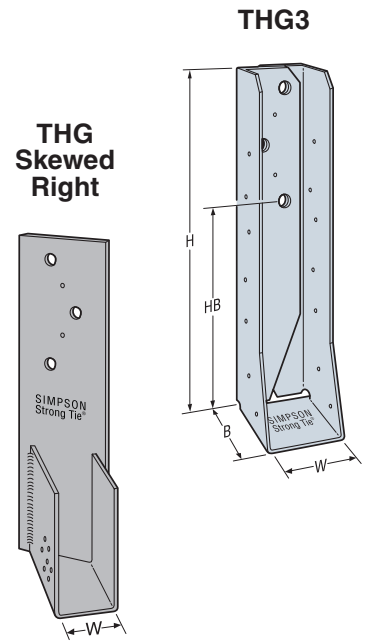
**FINISH:** Skewed THG: Hot dip galvanised.

**INSTALLATION:** Use all specified fasteners. See "General Notes" (page 12).

- Order bolts, nuts and washers separately. Specify the carrying member thickness when ordering bolts. Verify that the header can take the required fasteners specified in the table. All multiple members must be fastened together to act as a single unit.
- The minimum vertical carrying member widths are 175mm for the THG4 and 147mm for all others.
- Use a maximum bottom chord in the carrying member to allow for the minimum bolt end distance: THG3B and THG4B: 147mm, THG2 and THG3: 175mm, THG4: 200mm
- Attach the THG to the center of the vertical carrying member. Use the two face nail holes for temporary placement while boring the bolt holes.

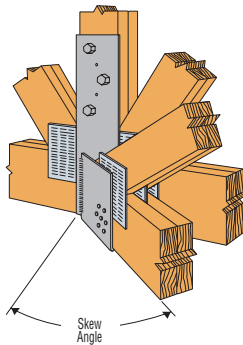
**OPTIONS:** Other widths available to order.

- Slope and/or skew models available. This is a welded product that is hot dip galvanised or powder coated after manufacture. Dimensions may vary from standard THG's.
- Slope down to 30° and/or skewed left or right to 45°. Specify degree of slope and/or skew.
- The skew angle is measured from the line perpendicular to the carrying member as per illustration below.
- Back-to-back installation models available to order.
- Some models have optional carried member bolt holes for additional uplift capacity. Bolts are not required unless specified by the designer for increased uplift. Contact Simpson Strong-Tie for uplift capacity.

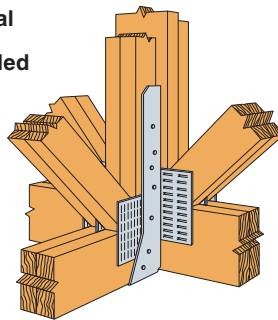


Roof Connectors

**THG Installed Skewed Right**



**Typical THG Installed**



| Model No. | Carried Member | Dimensions |     |     |     | Number of Fasteners    |                          |
|-----------|----------------|------------|-----|-----|-----|------------------------|--------------------------|
|           |                | W          | H   | B   | HB  | Carrying Member (Bolt) | Carried Member (3.75x75) |
| THG2/80   | 2 ply 35       | 80         | 475 | 115 | 317 | 2 (M20)                | 14                       |
| THG3/80   |                |            | 555 | 135 | 319 | 3 (M20)                | 14                       |
| THG3B/80  |                |            | 485 | 120 | 290 | 3 (M20)                | 16                       |
| THG4B/80  |                |            | 565 | 135 | 290 | 4 (M20)                | 16                       |
| THG2/105  | 2 ply 47       | 105        | 475 | 115 | 317 | 2 (M20)                | 14                       |
| THG3/105  |                |            | 555 | 135 | 319 | 3 (M20)                | 14                       |
| THG3B/105 |                |            | 485 | 120 | 290 | 3 (M20)                | 16                       |
| THG4B/105 |                |            | 565 | 135 | 290 | 4 (M20)                | 16                       |
| THG3/120  | 3 ply 35       | 120        | 555 | 135 | 319 | 3 (M20)                | 14                       |
| THG3B/120 |                |            | 485 | 120 | 290 | 3 (M20)                | 16                       |
| THG4/120  |                |            | 705 | 135 | 367 | 4 (M24)                | 18                       |
| THG4B/120 |                |            | 565 | 135 | 290 | 4 (M20)                | 16                       |
| THG3/155  | 3 ply 47       | 155        | 555 | 135 | 319 | 3 (M20)                | 14                       |
| THG3B/155 |                |            | 485 | 120 | 290 | 3 (M20)                | 16                       |
| THG4/155  |                |            | 705 | 135 | 367 | 4 (M24)                | 18                       |
| THG4B/155 |                |            | 565 | 135 | 290 | 4 (M20)                | 16                       |
| THG4/210  | 4ply 47        | 210        | 705 | 135 | 367 | 4 (M24)                | 18                       |

| Model No.      | Support Plys | Safe Working Loads Medium Term | Characteristic Capacities (kN) |
|----------------|--------------|--------------------------------|--------------------------------|
| THG2           | DBL 35       | 15.40                          | 27.92                          |
|                | DBL 47       | 20.53                          | 27.92                          |
|                | TPL 35       | 21.88                          | 27.92                          |
|                | TPL 47       | 25.20                          | 27.92                          |
| THG3           | DBL 35       | 23.10                          | 35.71                          |
|                | DBL 47       | 30.79                          | 35.71                          |
|                | TPL 35       | 32.81                          | 35.71                          |
| THG3B          | DBL 35       | 23.10                          | 33.36                          |
|                | DBL 47       | 30.79                          | 33.36                          |
|                | TPL 35       | 32.81                          | 33.36                          |
| THG4B (W=80)   | DBL 35       | 30.8                           | 36.20                          |
|                | DBL 47       | 38.90                          | 36.20                          |
|                | TPL 35       | 38.90                          | 36.20                          |
| THG4B (W≥ 105) | DBL 35       | 30.80                          | 55.84                          |
|                | DBL 47       | 38.90                          | 55.84                          |
|                | TPL 35       | 38.90                          | 55.84                          |
| THG4           | DBL 35       | 30.80                          | 48.64                          |
|                | DBL 47       | 38.90                          | 48.64                          |
|                | TPL 35       | 38.90                          | 48.64                          |
|                | TPL 47       | 38.90                          | 48.64                          |