

ZS Slotted Z Clip

THE ZS CLIP ALLOWS I-JOISTS OR SOLID SAWN TIMBER TO BE USED AS NOGGINGS BETWEEN JOISTS TO SUPPORT FLOOR DECKS OR PARTITIONS.

- Fully interlocking top flange works on all I-joist header widths to prevent overlapping of opposing clips.
- Slotted bottom flange allows I-joist or solid sawn timber to be used as noggings.
- Triangular nail hole for use with 50mm wide headers, also it ensures that nails can be staggered when ZS clips are interlocked.
- Embossed bottom flange provides greatly enhanced resistance to bending.
- Obround nail holes in the bottom flange ensure easier angled nailing.

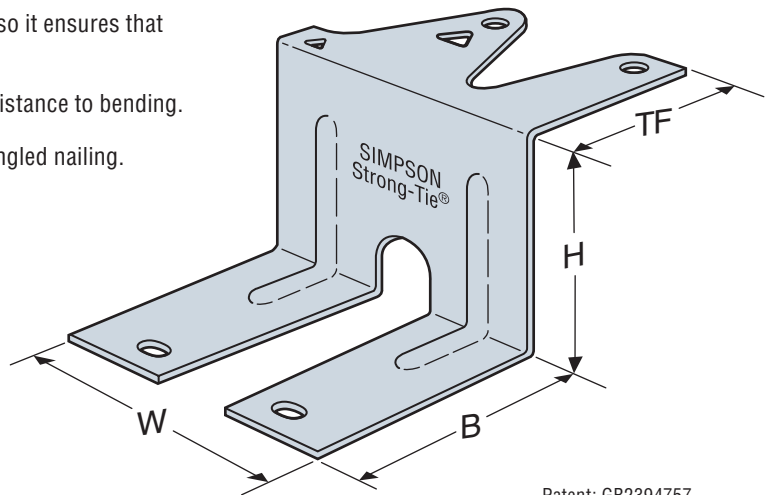
MATERIAL:

1.0mm pre-galvanised mild steel.

INSTALLATION:

- Use all specified fasteners.
- Nail to underside of carried member.
- Place top flange onto header beam and nail in place.

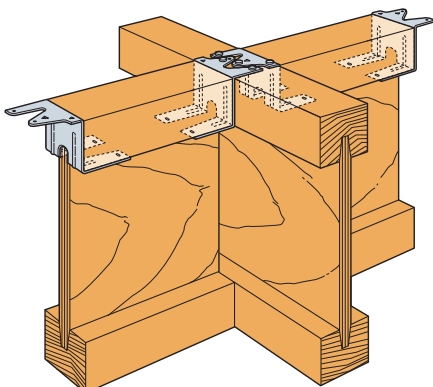
ZS38N



Patent: GB2394757

Model No.	Dimensions (mm)				Carried Member	No. Fasteners (3.75mm x 30mm)	SWL (kN)
	W	H	B	TF			
ZS35N	52	35	49	31	I-Joist	4	0.8
					C16	4	1.3
ZS38N	52	38	46	31	I-Joist	4	0.8
					C16	4	1.3
ZS45N	52	45	39	31	I-Joist	4	0.8
					C16	4	1.3

Typical ZS Installation



ZS Clips interlock allowing back-to-back installation on any I-joist header width. Triangular nail hole ensures header nails never line up.