

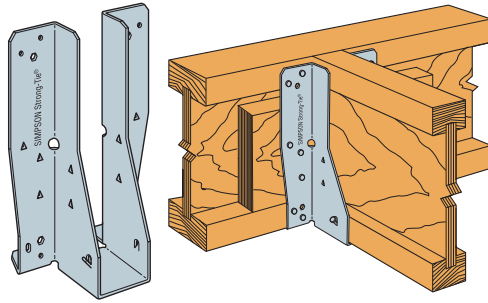
**SIMPSON**

**Strong-Tie**

# ENGINEERED WOOD CONNECTORS

# IUB

One piece face  
mounted joist hanger  
for supporting I-Joists  
from timber members.



PI-IUB-w-bb

For fastener, load, and limited warranty information see Simpson Strong-Tie Catalogue or contact us at 01827 255 600

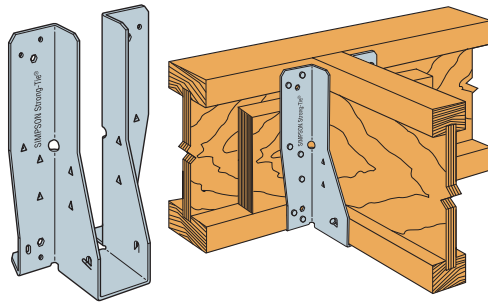
**SIMPSON**

**Strong-Tie**

# ENGINEERED WOOD CONNECTORS

# IUB

One piece face  
mounted joist hanger  
for supporting I-Joists  
from timber members.



PI-IUB-w-bb

For fastener, load, and limited warranty information see Simpson Strong-Tie Catalogue or contact us at 01827 255 600

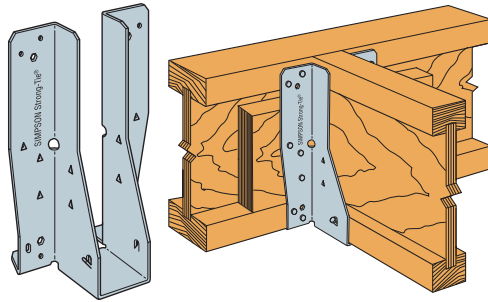
**SIMPSON**

**Strong-Tie**

# ENGINEERED WOOD CONNECTORS

# IUB

One piece face  
mounted joist hanger  
for supporting I-Joists  
from timber members.



PI-IUB-w-bb

For fastener, load, and limited warranty information see Simpson Strong-Tie Catalogue or contact us at 01827 255 600

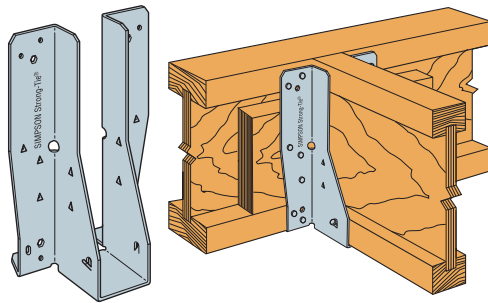
**SIMPSON**

**Strong-Tie**

# ENGINEERED WOOD CONNECTORS

# IUB

One piece face  
mounted joist hanger  
for supporting I-Joists  
from timber members.



PI-IUB-w-bb

For fastener, load, and limited warranty information see Simpson Strong-Tie Catalogue or contact us at 01827 255 600