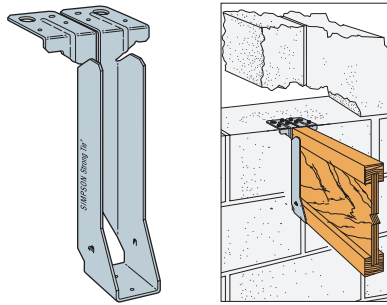


**SIMPSON**  
**Strong-Tie**

# MASONRY JOIST HANGERS

# JHMI

One piece non-welded joist hangers for supporting timber joists, beams, and trussed rafters from masonry walls.



PI-JHMI

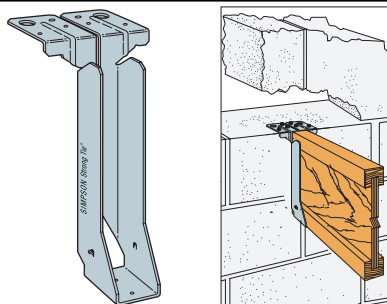
For fastener, load, and limited warranty information see Simpson Strong-Tie Catalogue or contact us at 01827 255 600

**SIMPSON**  
**Strong-Tie**

# MASONRY JOIST HANGERS

# JHMI

One piece non-welded joist hangers for supporting timber joists, beams, and trussed rafters from masonry walls.



PI-JHMI

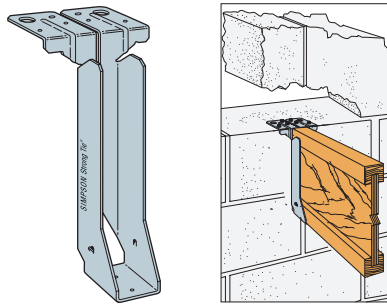
For fastener, load, and limited warranty information see Simpson Strong-Tie Catalogue or contact us at 01827 255 600

**SIMPSON**  
**Strong-Tie**

# MASONRY JOIST HANGERS

# JHMI

One piece non-welded joist hangers for supporting timber joists, beams, and trussed rafters from masonry walls.



PI-JHMI

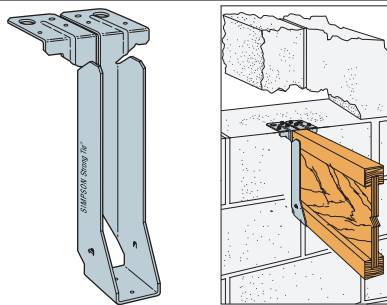
For fastener, load, and limited warranty information see Simpson Strong-Tie Catalogue or contact us at 01827 255 600

**SIMPSON**  
**Strong-Tie**

# MASONRY JOIST HANGERS

# JHMI

One piece non-welded joist hangers for supporting timber joists, beams, and trussed rafters from masonry walls.



PI-JHMI

For fastener, load, and limited warranty information see Simpson Strong-Tie Catalogue or contact us at 01827 255 600