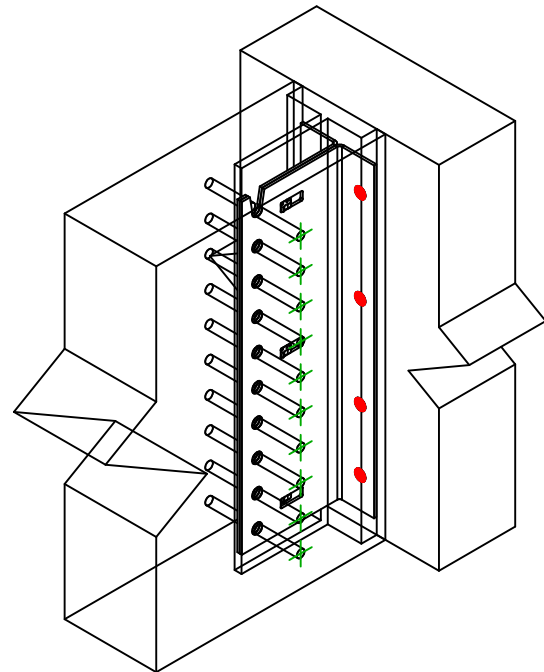
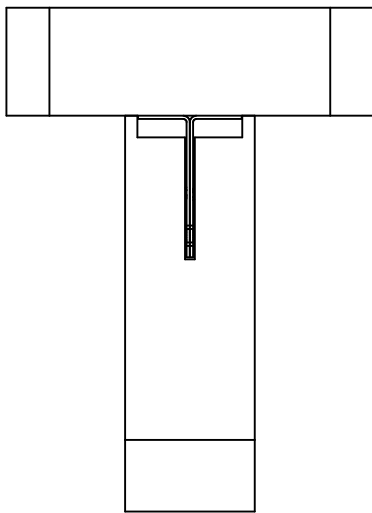
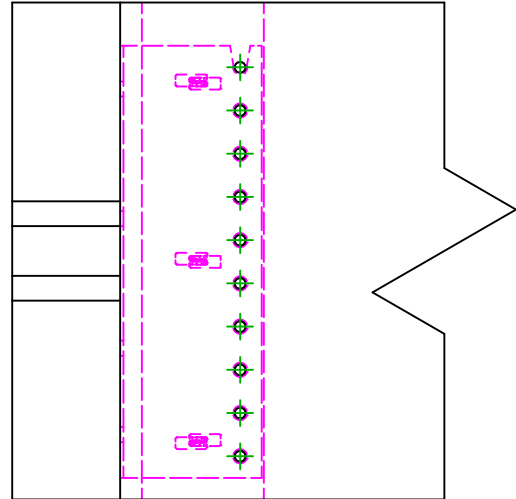
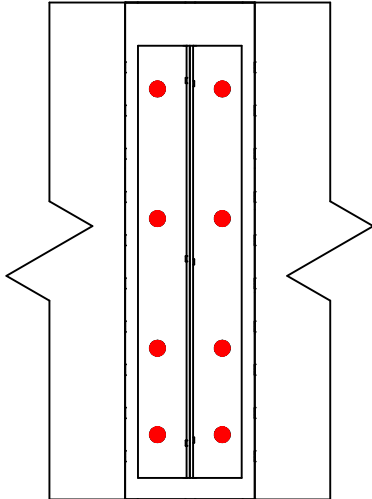


Fastening pattern



Item	=	BTC400-B	
Fasteners	=	Timber to timber	Joist to beam
Type of fastening	=	Fixing with SSH	



	Symbol	Fasteners	Items	Qty
Header Fastener(s)		SSH	SSH12.0X60	8
		-	-	
		-	-	
Joist Fastener(s)		STD	STD12	10
		-	-	
		-	-	