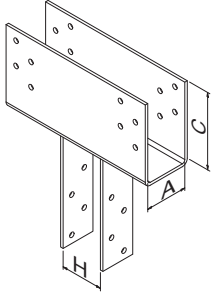
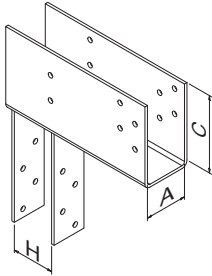
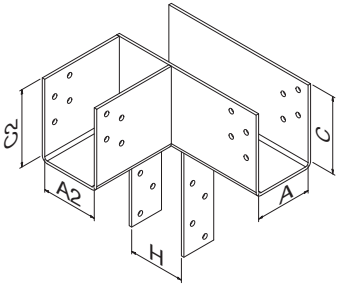
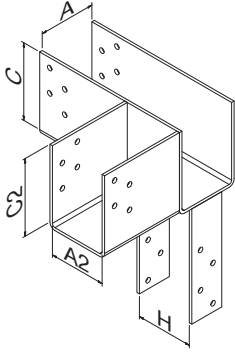
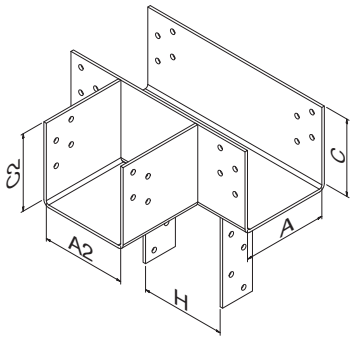
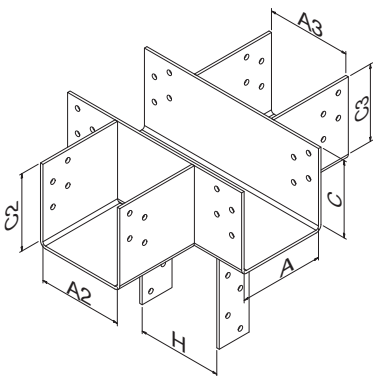


CCQ Column Cap Made to Order Form

| | |
|--|------|
| Name: | Tel: |
| Email: | |
| Make a note of the dimensions (in millimeters) next to the relevant product diagram below. Email the form to: UKsales@strongtie.com | |

| | | Reference dimensions | Available range | Required size |
|--|---|----------------------|-----------------|---------------|
|  <p>SPEC E CCQ <input type="checkbox"/></p> |  <p>SPEC E ECCQ <input type="checkbox"/></p> | A (W1) | 75 - 225mm | |
| | | C (H1) | 140 - 190mm | |
| | | H (W2) | 75 - 250mm | |
|  <p>SPEC E ECLLQ <input type="checkbox"/></p> |  <p>SPEC E ECCLRQ <input type="checkbox"/></p> | A (W1) | 75 - 225mm | |
| | | A2 (W3) | 75 - 225mm | |
| | | C (H1) | 140 - 190mm | |
| | | C2 (H2) | 140 - 190mm | |
| | | H (W2) | 75 - 250mm | |
|  <p>SPEC E CCTQ</p> | | A (W1) | 75 - 225mm | |
| | | A2 (W3) | 75 - 225mm | |
| | | C (H1) | 140 - 190mm | |
| | | C2 (H2) | 140 - 190mm | |
| | | H (W2) | 75 - 250mm | |
|  <p>SPEC E CCCQ</p> | | A (W1) | 75 - 225mm | |
| | | A2 (W3) | 75 - 225mm | |
| | | A3 (W4) | 75 - 225mm | |
| | | C (H1) | 140 - 190mm | |
| | | C2 (H2) | 140 - 190mm | |
| | | C3 (H3) | 140 - 190mm | |
| | | H (W2) | 75 - 250mm | |